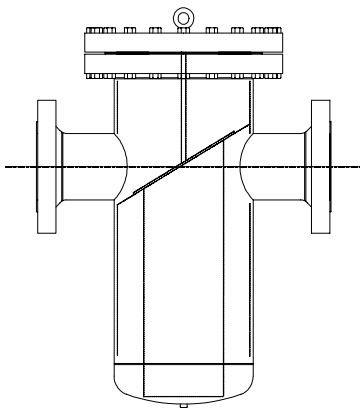


Style FB

Fabricated Basket Strainer

Fabricated Basket Strainers
Bolted Cover
Carbon Steel & Stainless Steel

150 lb. Flanged & Butt Weld
300 lb. Flanged & Butt Weld
600 lb. Flanged & Butt Weld



APPLICATIONS

Steam, water, oil or gas where protection from foreign matter in a pipeline is required.

CONSTRUCTION

The Keckley Style FB family of Fabricated Basket Strainers are available in carbon steel or stainless steel. Either flanged or butt weld connections are furnished. These basket strainers are available with a Quick Open Cover (FBQ), Bolted Slip Hinge Cover (FBH), or Integral Swing Arm Davit (FBD). Flanges are raised face and drilled in accordance with ASME B16.5 and come standard with back faced boltholes.

Special dimensions can be supplied.

BASKETS

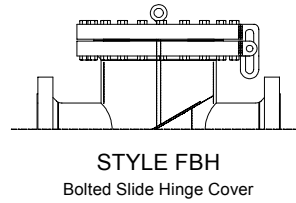
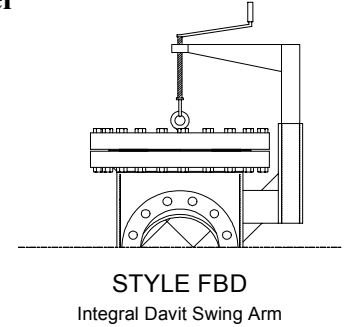
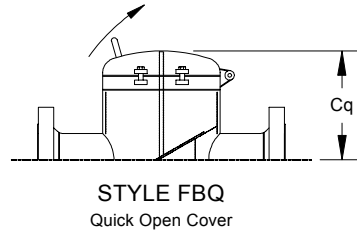
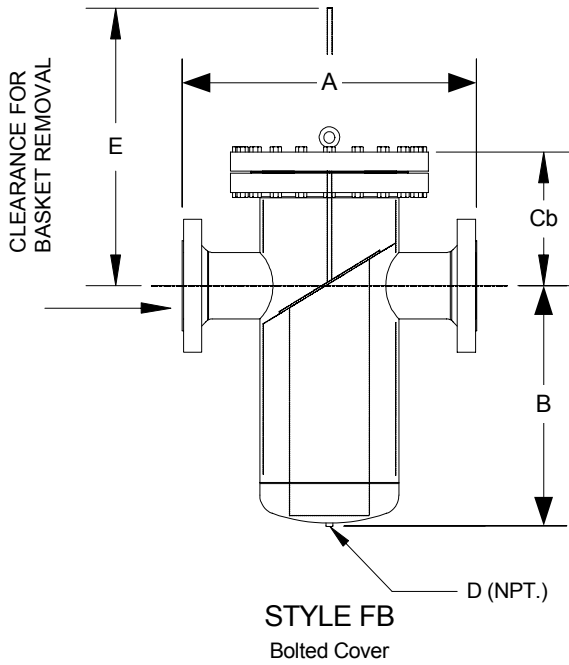
Baskets are perforated 304 stainless steel and are spot welded for maximum strength. Different size perforations and meshes are available in stainless steel, monel, and brass to meet specific media requirements. If media is not indicated, 1/8" perforated 304 stainless steel baskets will be supplied.

CLEANING

Cleaning of the Style FB strainer is accomplished by removing the cover and pulling out the basket. **Warning:** See Maintenance Instructions on page S6 of the Strainer Information Section for additional precautions and detailed information on servicing the strainer.

Style FB

Fabricated Basket Strainer, 150 lb., 300 lb. & 600 lb.
Carbon Steel & Stainless Steel
Flanged & Butt Weld



Parts List

- Body Material – As Required
- Connections – As Required
- Screen Perforations – As Required
- Special Features – As Required
(See additional options page F12)

Pipe Size		A				B		Cb				Cq		D		E	
		150#		300#				150#		300#							
in	mm	in	mm	in	mm	in	mm	in	mm	in	mm	in	mm	in	mm	in	mm
4	100	16	406	17	432	14	356	10-1/2	267	12-1/2	318	11	279	1	25	21	533
6	150	20	508	21	533	17	432	11	279	13	330	13	330	1	25	24	610
8	200	22	559	23	584	21	533	12	305	14	356	15	381	1-1/2	40	28	711
10	250	32	813	33	838	25	635	13	330	15	381	17	432	1-1/2	40	33	838
12	300	35	889	36	914	28	711	15	381	17	432	19	483	1-1/2	40	39	991
14	350	37	940	38	965	33	838	16-1/2	419	18-1/2	470	20	508	2	50	45	1143
16	400	42	1067	43	1092	36	914	17-1/2	445	19-1/2	495	23	584	2	50	49	1245
18	450	42	1067	43	1092	39	991	18-1/2	470	20	508	24	610	2	50	53	1346
20	500	43	1092	44	1118	44	1118	20	508	22	559	24	610	2	50	59	1499
24	600	48	1219	49	1245	44	1118	21	533	23	584	27	686	2	50	78	1981

Pipe Size		Housing Pipe Size		FB Total Weight				FB Cover Weight				FBQ Total Weight				FBQ Force required to lift cover	
				150#		300#		150#		300#		150#		300#			
in	mm	in	mm	lbs	kgs	lbs	kgs	lbs	kgs	lbs	kgs	lbs	kgs	lbs	kgs	lbs	kgs
4	100	8	200	211	96	289	131	45	20	81	37	157	71	180	82	9	4
6	150	10	250	293	133	421	191	70	32	127	58	222	101	260	118	12	5
8	200	12	300	403	183	591	268	110	50	184	83	297	135	353	160	15	7
10	250	16	400	630	286	962	436	170	77	307	139	432	196	515	234	26	12
12	300	18	450	765	347	1283	582	209	95	390	177	539	244	758	344	32	15
14	350	20	500	951	431	1590	721	272	123	492	223	655	297	958	435	40	18
16	400	24	600	1323	600	2321	1053	411	186	754	342	870	395	1335	606	58	26
18	450	24	600	1357	616	2487	1128	411	186	754	342	904	410	1501	681	58	26
20	500	30	750	1943	881	3695	1676	681	309	1403	636	1193	541	1813	822	76	34
24	600	30	750	2120	962	4075	1848	681	309	1403	636	1370	621	2193	995	76	34

Consult factory for sizes not shown.

Certified dimensional drawings are available upon request.

†This table reflects only the nearest metric equivalents.