

# Style SA

Y-Strainer

Carbon Steel (ASTM A 216, Grade WCB)

600 lb. Flanged



## Cast Carbon Steel Y-Strainer

### APPLICATIONS

Steam, water, oil or gas where protection from foreign matter in a pipeline is required.

### CONSTRUCTION

The Keckley Style SA strainers are constructed from rugged carbon steel castings and are machined to exacting specifications. These bodies have raised faced and drilled flanges that are in accordance with ASME B16.5. All flanges come standard with back-faced bolt holes.

### FEATURES

The Keckley Style SA strainer features a machined groove in both the body and cover for proper screen alignment and to ensure accurate reseating when servicing is required. The gasket is 304 stainless steel spiral wound and is compressed between the body and cover (for maximum strength and durability) and designed for high pressure and high temperature service. All Keckley Style SA strainers have carbon steel studs and nuts and can be furnished with a steel blow-off plug upon request.

Blind covers are available upon request.

### SCREENS

Standard perforated 304 stainless steel screens are spot welded along the seam for maximum strength. Different size perforations and meshes are available in stainless steel, monel, and brass to meet specific media requirements. If the media is not indicated, screens for *steam* will be supplied.

### SELF CLEANING

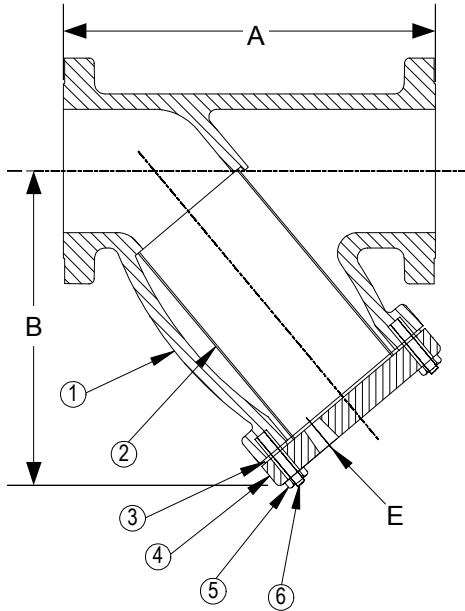
Self cleaning is accomplished by opening the valve or drain plug connected to the blow off port. **Warning:** See Maintenance Instructions on page S6 of the Strainer Information Section for additional precautions and detailed information on servicing the strainer.

### WORKING PRESSURES – NON SHOCK

NOM. RATING	MEDIA	1/2" to 12"	15 mm to 300 mm
600# R.F. & D. (FLANGE)	STEAM	600 PSI @ 838°F	4138 KPa @ 448°C
	W.O.G.	1480 PSI @ 100°F	10208 KPa @ 38°C

## Style SA

**Y-Strainer, 600 lb. Flanged**  
**Cast Carbon Steel (ASTM A 216, Grade WCB)**


**PARTS LIST**

ITEM	DESCRIPTION	MATERIAL
1	BODY	CAST CARBON STEEL (ASTM A 216, GRADE WCB)
2	SCREEN	STAINLESS STEEL (304)
3	GASKET	COMPOSITION (HIGH TEMP./PRES.)
4	COVER	CAST CARBON STEEL (ASTM A 216, GRADE WCB)
5	NUTS	STEEL (ASTM A 194, GRADE 8)
6	STUDS	STEEL (ASTM A 193, GRADE B8)

Optional: Blow-off Plug, Carbon Steel (ASTM A 105)

**STANDARD SCREENS SUPPLIED**

SIZE		SCREEN GAGE	SCREEN PERFORATION					
in	mm		FOR STEAM		OPEN AREA	FOR LIQUID		OPEN AREA
			in	mm		in	mm	
1/2 to 4	15 to 100	28	3/64	1.2	33%	1/16	1.6	30%
5 to 10	50 to 250	22	3/64	1.2	33%	1/8	3.2	43%
12	300	22	1/16	1.6	30%	1/8	3.2	43%

 Standard screens supplied are for **steam service**, unless otherwise specified.

Options: Other perforations, meshes, and screen materials are available.

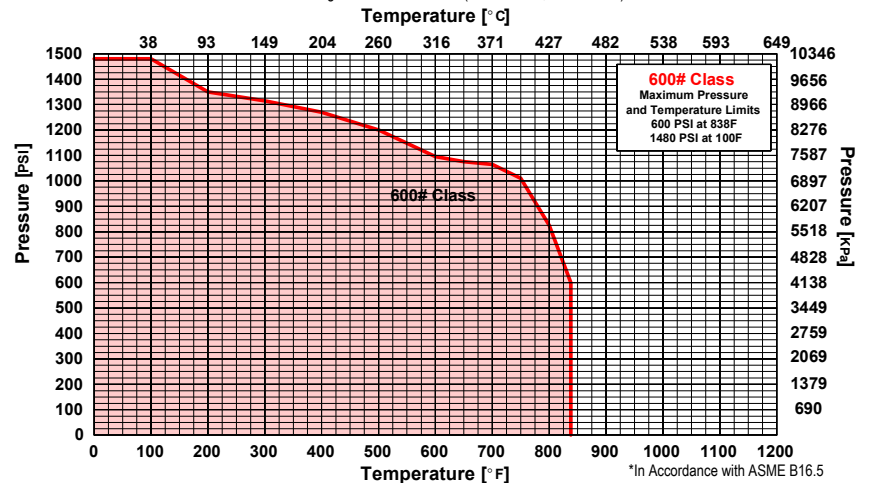
SIZE		DIMENSIONS						WEIGHTS	
		A		B		E			
in	mm	in	mm	in	mm	in	mm	lbs	kgs
1/2	15	6-5/8	168	3-1/2	89	3/8	10	6	3
3/4	20	8-3/8	213	3-3/4	95	1/2	15	13	6
1	25	8-3/8	213	3-3/4	95	1/2	15	13	6
1-1/4	32	10-1/8	257	5-1/2	140	1/2	15	19	9
1-1/2	40	10-1/4	260	5-1/2	140	1/2	15	27	12
2	50	11	279	7	178	1/2	15	40	18
2-1/2	65	12	305	8-1/4	210	1	25	60	27
3	80	13-1/2	343	9-1/4	235	1	25	78	35
4	100	18	457	12-1/2	318	1-1/2	40	160	73
6	150	25-5/8	651	20	508	2	50	364	165
8	200	31-3/4	806	24	610	2	50	670	304
10	250	37-3/4	959	28-1/2	724	2	50	1090	494
12	300	45-1/2	1156	34-1/2	876	2	50	1558	707

Larger sizes available upon request.

†This table reflects only the nearest metric equivalents.

**PRESSURE vs. TEMPERATURE CHART**

600# Flanged Cast Carbon Steel (ASTM A 216, Grade WCB)



Certified Dimensional Drawings are  
 Available Upon Request.