

Style SSA-7

Y-Strainer

Stainless Steel (ASTM A 351, Grade CF8M)

150 lb. & 300 lb. Flanged



Cast 316 Stainless Steel Y-Strainer

APPLICATIONS

Steam, water, oil or gas where protection from foreign matter in a pipeline is required.

CONSTRUCTION

The Keckley Style SSA-7 strainers are constructed from rugged 316 stainless steel castings and are machined to exacting specifications. These bodies have raised faced and drilled flanges that are in accordance with ASME B16.5. All flanges come standard with back-faced bolt holes.

FEATURES

The Keckley Style SSA-7 strainer features a machined groove in both the body and cover for proper screen alignment and to ensure accurate reseating when servicing is required. The gasket is 304 stainless steel spiral wound and is compressed between the body and cover (for maximum strength and durability) and designed for high pressure and high temperature service. All Keckley Style SSA-7 strainers have stainless steel studs and nuts and can be furnished with a stainless steel blow-off plug upon request.

Blind covers are available upon request.

SCREENS

Standard perforated 304 stainless steel screens are spot welded along the seam for maximum strength. Different size perforations and meshes are available in stainless steel, monel, and brass to meet specific media requirements. If the media is not indicated, screens for *steam* will be supplied.

SELF CLEANING

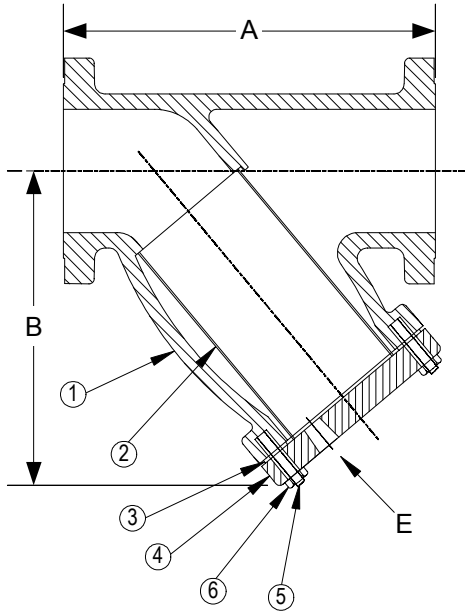
Self cleaning is accomplished by opening the valve or drain plug connected to the blow-off port. **Warning:** See Maintenance Instructions on page S6 of the Strainer Information Section for additional precautions and detailed information on servicing the strainer.

WORKING PRESSURES – NON SHOCK

NOM. RATING	MEDIA	1/2" to 12"	15 mm to 300 mm
150# R.F. & D. (FLANGE)	STEAM	150 PSI @ 565°F	1035 KPa @ 296°C
	W.O.G.	275 PSI @ 100°F	1897 KPa @ 38°C
NOM. RATING	MEDIA	1/2" to 12"	15 mm to 300 mm
300# R.F. & D. (FLANGE)	STEAM	300 PSI @ 1125°F	2069 KPa @ 607°C
	W.O.G.	720 PSI @ 100°F	4966 KPa @ 38°C

Style SSA-7

Y-Strainer, 150 lb. & 300 lb. Flanged
Cast 316 Stainless Steel (ASTM A 351, Grade CF8M)


PARTS LIST

ITEM	DESCRIPTION	MATERIAL
1	BODY	STAINLESS STEEL (ASTM A 351, GRADE CF8M)
2	SCREEN	STAINLESS STEEL (304)
3	GASKET	SPIRAL WOUND STAINLESS STEEL (304)
4	COVER	STAINLESS STEEL (ASTM A 351, GRADE CF8M)
5	STUDS	STAINLESS STEEL (ASTM A 193, GRADE B8)
6	NUTS	STAINLESS STEEL (ASTM A 194, GRADE 8)

Optional: Blow-off Plug, Stainless Steel (304)

STANDARD SCREENS SUPPLIED

SIZE		SCREEN GAGE	SCREEN PERFORATION					
in	mm		FOR STEAM		OPEN AREA	FOR LIQUID		OPEN AREA
			in	mm		in	mm	
1/2 to 4	15 to 100	28	3/64	1.2	33%	1/16	1.6	30%
5 to 10	50 to 250	22	3/64	1.2	33%	1/8	3.2	43%
12	300	22	1/16	1.6	30%	1/8	3.2	43%

Standard screens supplied are for **steam service**, unless otherwise specified.
 Options: Other perforations, meshes, and screen materials are available.

SIZE		DIMENSIONS										WEIGHTS			
		A				B				E		150#		300#	
		150#	300#	150#	300#	150#	300#	150# & 300#	150#	300#					
in	mm	in	mm	in	mm	in	mm	in	mm	in	mm	lbs	kgs	lbs	kgs
1/2	15	6-1/2	165	6-1/8	156	3-3/4	95	3-3/4	95	3/8	10	7	3	6	3
3/4	20	7-3/8	187	7-3/4	197	4-1/4	108	4-1/4	108	1/2	15	11	5	13	6
1	25	7-3/8	187	7-7/8	200	4-1/4	108	4-1/4	108	1/2	15	11	5	13	6
1-1/4	32	7	178	8-1/8	206	5-1/8	130	5-1/8	130	1/2	15	12	5	19	9
1-1/2	40	7-1/8	181	8-1/4	210	5-1/8	130	5-1/8	130	1/2	15	14	6	19	9
2	50	7-7/8	200	9-1/2	241	6-1/16	154	6-1/16	154	1/2	15	22	10	33	15
2-1/2	65	9-3/4	248	10-3/8	264	6-1/2	165	6-1/2	165	1	25	32	15	44	20
3	80	10-1/16	256	12	305	7-7/16	189	7-5/16	186	1	25	41	19	58	26
4	100	12-1/8	308	14-1/2	368	8-15/16	227	8-15/16	227	1-1/2	40	63	29	91	41
5	125	15-1/2	394	19-5/16	491	13-3/8	340	13-3/8	340	2	50	111	51	180	82
6	150	18-1/2	470	19-5/16	491	13-1/8	333	13-1/8	333	2	50	136	62	180	82
8	200	21-3/8	543	23-3/8	594	15-11/16	398	15-7/8	403	2	50	212	96	304	138
10	250	26	660	27-3/8	695	18-7/16	468	18-7/16	468	2	50	280	127	470	213
12	300	29-7/8	759	32	813	21-3/16	538	23-1/16	586	2	50	460	209	709	322

Larger sizes available upon request.

Certified dimensional drawings are available upon request.

†This table reflects only the nearest metric equivalents.

TOTAL SCREEN AREA

Size	(in ²)	Size	(in ²)	Size	(in ²)
2"	30.28	4"	91.89	8"	342.86
2-1/2"	46.91	5"	209.41	10"	532.80
3"	57.62	6"	241.18	12"	600.71

*See DETERMINING RATIOS on page S5 of the Strainer Information Section for calculating NET FREE AREA of the screen to inside pipe area.

PRESSURE vs. TEMPERATURE CHART

150# & 300# Flanged Cast 316 Stainless Steel (ASTM A 351, Grade CF8M)

