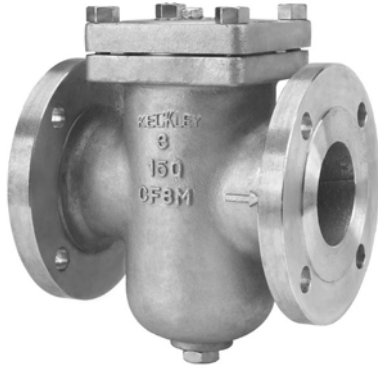


Style SSGFV

Basket Strainer

Stainless Steel (ASTM A 351, Grade CF8M)

150 lb. & 300 lb. Flanged



Cast 316 Stainless Steel Basket Strainer

APPLICATIONS

Steam, water, oil or gas where protection from foreign matter in a pipeline is required.

CONSTRUCTION

The Keckley Style SSGFV strainers are constructed from rugged 316 stainless steel castings and are machined to exacting specifications. These bodies have raised faced and drilled flanges that are in accordance with ASME B16.5. All flanges come standard with back-faced bolt holes.

FEATURES

The Keckley Style SSGFV strainer features a basket with an angular cutaway design to allow straight through flow and extremely low pressure loss. All sizes have a bolted top cover flange for ease in basket removal. The gasket is spiral wound 304 stainless steel and is compressed between the body and cover (for maximum strength and durability) and designed for high pressure and high temperature service. Keckley Style SSGFV strainers have stainless steel hex head cap screws and are furnished standard with a tapped and plugged NPT drain connection.

BASKETS

Standard baskets are 304 stainless steel and are spot welded for maximum strength. Different size perforations and meshes are available in stainless steel, monel, and brass to meet specific media requirements. If media is not indicated, screens for *water* will be supplied.

CLEANING

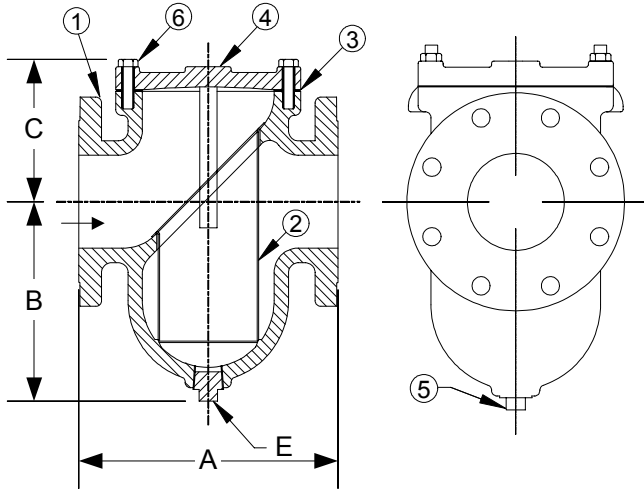
Cleaning of the Style SSGFV strainer is accomplished by removing the cover and pulling out the basket. **Warning:** See Maintenance Instructions on page **S6** of the Strainer Information Section for additional precautions and detailed information on servicing the strainer.

WORKING PRESSURES – SHOCK

NOM. RATING	MEDIA	2" to 12"	50 mm to 300 mm
150# R.F. & D. (FLANGE)	STEAM	150 PSI @ 565°F	1035 KPa @ 296°C
	W.O.G.	275 PSI @ 100°F	1897 KPa @ 38°C
NOM. RATING	MEDIA	2" to 12"	50 mm to 300 mm
300# R.F. & D. (FLANGE)	STEAM	300 PSI @ 1125°F	2069 KPa @ 607°C
	W.O.G.	720 PSI @ 100°F	4966 KPa @ 38°C

Style SSGFV

**Basket Strainer, 150 lb. & 300 lb. Flanged
Cast 316 Stainless Steel (ASTM A 351, Grade CF8M)**



PARTS LIST

ITEM	DESCRIPTION	MATERIAL
1	BODY	CAST STAINLESS STEEL (ASTM A 351, GRADE CF8M)
2	SCREEN (BASKET)	STAINLESS STEEL (304)
3	GASKET	STAINLESS STEEL - SPIRAL WOUND (304)
4	COVER	CAST STAINLESS STEEL (ASTM A 351, GRADE CF8M)
5	PIPE PLUG	STAINLESS STEEL
6	HEX HEAD CAP SCREWS	STAINLESS STEEL (316)

STANDARD SCREENS SUPPLIED

SIZE		SCREEN GAGE	SCREEN PERFORMANCE					
in	mm		FOR STEAM		FOR LIQUID			
			in	mm	AREA	in	mm	AREA
2 to 3	50 to 80	22	3/64	1.2	33%	1/16	1.6	30%
4 to 12	100 to 300	22	1/16	1.6	30%	1/8	3.2	43%

Standard screens supplied are for **liquid service**, unless otherwise specified.
Options: Other perforations, meshes, and screen materials are available.

SIZE		DIMENSIONS															
		A				B				C				E			
		150#		300#		150#		300#		150#		300#		150#		300#	
in	mm	in	mm	in	mm	in	mm	in	mm	in	mm	in	mm	in	mm	in	mm
2	50	8-1/2	216	8-13/16	224	5-7/8	149	4-3/4	121	4-13/16	122	3-3/4	95	1/2	15	1	25
2-1/2	65	8	203	9	229	5-7/16	138	5-5/8	143	4-1/4	108	4-5/8	117	3/4	20	1	25
3	80	8-3/4	222	10-3/4	273	5-1/4	133	6-3/4	171	5-9/16	141	7-3/4	197	3/4	20	3/4	20
4	100	11-3/16	284	12	305	7-7/8	200	9-5/8	244	6	152	5-7/16	138	1	25	1	25
5	125	12-1/4	311	13-1/8	333	10-1/4	260	10-1/4	260	5-5/8	143	5-5/8	143	1	25	1	25
6	150	13-7/8	352	15-9/16	395	12-9/16	319	10-5/8	270	5-7/8	149	6-5/16	160	1-1/4	32	1	25
8	200	17-3/8	441	19-11/16	500	15-1/8	384	12-5/8	321	8	203	6-3/4	171	1-1/2	40	1	25
10	250	22	559	21-5/16	541	16	406	14-3/8	365	10-3/8	264	9-7/8	251	1-1/2	40	2	50
12	300	25	635	25-3/8	645	23-3/4	603	23-3/4	603	12-3/8	314	12-3/8	314	2	50	2	50

Larger sizes available upon request.
Certified dimensional drawings are available upon request.
†This table reflects only the nearest metric equivalents.

WEIGHTS										
Size	2"	2-1/2"	3"	4"	5"	6"	8"	10"	12"	
150	lbs	30	35	39	69	110	125	270	360	450
	kgs	14	16	18	31	50	57	122	163	204
300	Lbs	32	42	56	88	126	150	295	420	500
	kgs	15	19	25	40	57	68	134	191	227

FLOW COEFFICIENTS					
Size	C _v	Size	C _v	Size	C _v
2"	42.7	5"	442.7	10"	3051.6
3"	120.2	6"	743.1	12"	4980.6
4"	276.7	8"	1846.3		

TOTAL SCREEN AREA					
Size	(in ²)	Size	(in ²)	Size	(in ²)
2"	53.42	5"	129.0	10"	591.73
3"	54.53	6"	215.65	12"	1040.63
4"	117.94	8"	401.76		

*See DETERMINING RATIOS and page S5 of the Strainer Information Section for calculating NET FREE AREA of the screen to inside pipe area.

PRESSURE vs. TEMPERATURE CHART

150# & 300# Flanged Cast 316 Stainless Steel (ASTM A 351, Grade CF8M)

