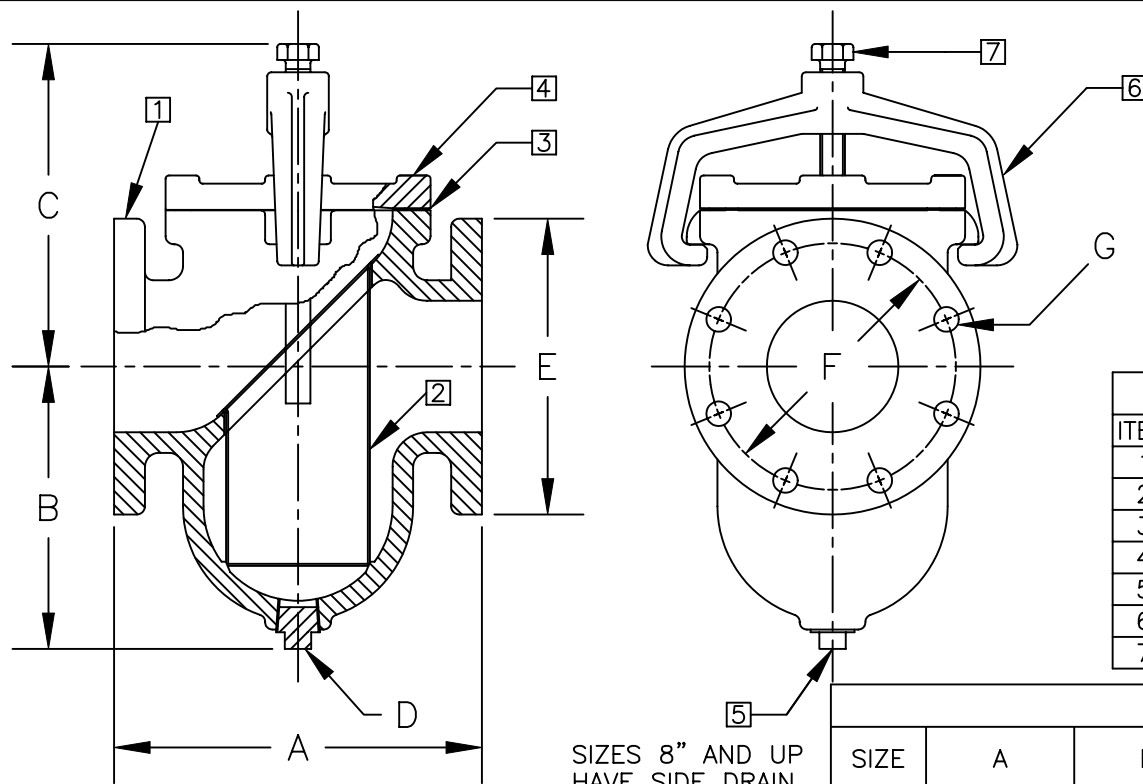


DRAWING NO.  
AL73159-1



BODY PRESSURE & TEMPERATURE RATINGS (NON SHOCK)	
PIPE SIZE	WATER SERVICE
2" TO 4"	60 PSI @ 150 °F
5" TO 8"	40 PSI @ 150 °F
10" & 12"	100 PSI @ 150 °F
14" & 16"	6 PSI @ 150 °F

PARTS LIST		
ITEM	DESCRIPTION	MATERIAL
1	BODY (125# FLANGE)	CAST IRON (ASTM A-126 CLASS B)
2	SCREEN (BASKET)	STAINLESS STEEL (304)
3	GASKET	COMPOSITION
4	CAP	CAST IRON (ASTM A-126 CLASS B)
5	PIPE PLUG	MALLEABLE IRON
6	CLAMP	CAST IRON (ASTM A-126 CLASS B)
7	CLAMP SCREW	STEEL

DIMENSIONS									
SIZE	A	B	C	D	E	F	G	WEIGHT	
2	8	6	6-1/2	3/4	6	4-3/4	4	3/4	26
2-1/2	8-1/4	7	6-3/4	3/4	7	5-1/2	4	3/4	37
3	9-3/4	8-1/4	7-3/4	3/4	7-1/2	6	4	3/4	50
4	11-1/2	9	9	1	9	7-1/2	8	3/4	74
5	13-1/8	9-3/4	10	1	10	8-1/2	8	7/8	97
6	14-3/4	10-1/2	10-1/2	1	11	9-1/2	8	7/8	131
8	18-1/2	12-3/4	13-3/4	1	13-1/2	11-3/4	8	7/8	236
10*	20-1/8	14-3/4	14-1/4	1-1/2	16	14-1/4	12	1	382
12*	26-1/4	17-1/2	17-1/4	1-1/2	19	17	12	1	783
14	30-1/4	23-1/4	ON APPL.	2	21	18-3/4	12	1-1/8	864
16	33-1/8	24-1/4	ON APPL.	2	23-1/2	21-1/4	16	1-1/8	1106

SIZES 8" AND UP HAVE SIDE DRAIN BLOW-OFF HOLE

\*10" & 12" UTILIZE A SET OF (2) CLAMPS.  
\*8" AND LARGER HAVE SIDE DRAIN BLOW-OFF

STANDARD SCREENS	
SIZE	SCREEN PERF.
2" TO 3"	3/64" (.045)
4" TO 16"	1/8" (.125)

OTHER MATERIALS (BRASS, MONEL, ETC.) AND/OR OTHER SIZES OF PERFORATIONS, WIRE MESHES, AND THICKNESSES ARE AVAILABLE TO MEET SPECIFIC SYSTEM REQUIREMENTS OR MEDIA. IF REQUIREMENTS OR MEDIA ARE NOT INCLUDED, STANDARD SCREENS WILL BE SUPPLIED.

**KECKLEY**  
3400 CLEVELAND SKOKIE ILLINOIS

DIMENSIONAL ASSEMBLY  
2" TO 16" STYLE HLC CLAMP  
COVER BASKET STRAINER  
CAST IRON BODY - 125# FLG.

DRAWING NO.  
AL73159-1

PART NO.

SCALE:

DATE: 02/20/03

DR. BY REW