

CONTROL VALVES

PRESSURE REGULATORS - Internal Pilot

	Page #	Body	Connection	Trim	1/4" 3/8"	1/2"	3/4"	1"	1 1/4"	1 1/2"	2"	2 1/2"	3"	4"	5"	6"	8"	10"	12"
TYPES AA & AR Types AA for reduced pressure above 40 p.s.i. Types AR for reduced pressure below 40 p.s.i.	5-6-7	Bronze	300# Threaded	Stainless Steel	\$	1512	1512	1512	1760	2173	2779								
	5-6-7	Bronze	150# or 300# ASA Flg.	Stainless Steel		1828	1828	1828	2100	2482	3214	5608	7118	11448	15552	18288			
	WHEN ABOVE IS USED ON AIR SERVICE ADD PRICE FOR NYLON TRIM																		
AA-AR-Extra for: Nylon Trim-Air Service Stellited Seat Ring Stainless Steel Cylinder Liner	7-8	List Adder for Nylon Trim-Air Service			\$	314	314	314	396	510	611	717	836	1157	1520	1688			
	7-8	List Adder for Stellited Seat Ring				453	453	453	535	560	792	922	1173	1375	1624	1819			
	7-8	List Adder for Stnl. Stl. Cylinder Liner				205	205	205	244	320	377	466	560	919	1375	1724			

PRESSURE REGULATORS

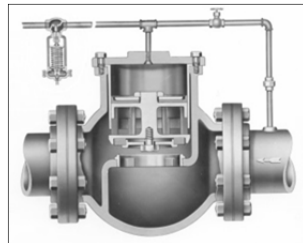
	Page #	Body	Connection	Trim	1/4" 3/8"	1/2"	3/4"	1"	1 1/4"	1 1/2"	2"	2 1/2"	3"	4"	5"	6"	8"	10"	12"
NO. 700 Water, Air service Single seat Tight closing spring ranges 8-30 p.s.i. 28-50 p.s.i. 45-75 p.s.i. 70-100 p.s.i.	20	Bronze*	Threaded	Bronze	\$	1005	1005	1120	1207	1371	3634								
	20	Cast Iron	Threaded	Bronze							1744	2774	3453						
	20	Cast Iron	125# Std. Flg.	Bronze							1841	2939	3633	5416					
	20	Cast Iron	250# Ex. Hy. Flg.	Bronze							1904	3119	3974	5846					
	20	Bronze*	150# or 300# ASA Flg.	Bronze							3886	6456	8268	12151	* w/ Iron Spring Case				
NO. 701 Water service External pilot type Tight closing Spring ranges - See 700	21	Cast Iron	Threaded	Bronze							3023	3283	3629						
	21	Cast Iron	125# Std. Flg.	Bronze							3110	3371	3791	4838	5687	5982	11195	14623	* globe only
	21	Cast Iron	250# Ex. Hy. Flg.	Bronze							3453	3780	4214	5344	6032	6463	11684	15120	* globe only
NO. 11-A Steam, Air, Liquid service Single seat Composition disc tight closing	33	Cast Iron	Threaded	Bronze	774	774	950	997	1137	1203	1400								
	33	Cast Iron	Threaded	Stainless Steel	853	853	1059	1198	1316	1455	1688								
NO. 10 Air, Water service low capacity	32	Bronze	Composition Disc Threaded	Bronze		707	707	783						For sizes larger than 1"; see #700 Pressure Regulator					
TYPE D Steam, Air service low capacity	34	Bronze	Threaded	Stainless Steel	722	722	722	722											
					1/4" 3/8"	1/2"	3/4"	1"	1 1/4"	1 1/2"	2"	2 1/2"	3"	4"	5"	6"	8"	10"	12"



Type AR



Type 700



Type 701



Type 11A

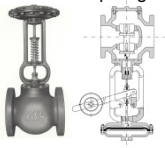


Type 10


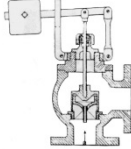


Type D

DIAPHRAGM CONTROL VALVES

NO.	Page #	Body	Connection	Trim	1/4"	1/2"	3/4"	1"	1 1/4"	1 1/2"	2"	2 1/2"	3"	4"	5"	6"	8"	10"	12"	
					3/8"															
NO. 114-double seat spring loaded 119-single seat spring loaded 116- double seat weight loaded 118-single seat weight loaded Above valves are direct acting (spring/weight holds valve open, pressure to diaphragm to close). 	26-27	Bronze	Threaded	Bronze	\$	1145	1145	1218	1406	1441										
	26-27	Bronze	Threaded	Stainless Steel		1704	1759	1865	1990	2069										
	26-27	Cast Iron	Threaded	Bronze							1563	1810	2168							
	26-27	Cast Iron	Threaded	Stainless Steel							1981	2352	2858							
	26-27	Cast Iron	125# Std. Flg.	Bronze							1719	1959	2265	2967	3657	4169	6828	9544	15442	
	26-27	Cast Iron	125# Std. Flg.	Stainless Steel							2113	2682	2967	3760	5021	5655	8924	11821		
	26-27	Cast Iron	250# Ex. Hy. Flg.	Bronze							2027	2257	2527	3319	3926	4562	7446	10455		
	26-27	Cast Iron	250# Ex. Hy. Flg.	Stainless Steel							2345	2820	3107	4142	5296	5920	9140	13623		
	PRICES SAME FOR ALL VALVE NOS.																			
	NO. 114-R 119-R 116-R 118-R Reverse acting valves add "R" to number (spring/weight holds valve closed, pressure to diaphragm to open).	26-27	Bronze	Threaded	Bronze	\$	1231	1231	1335	1505	1561									
26-27		Bronze	Threaded	Stainless Steel		1866	1930	2080	2193	2282										
26-27		Cast Iron	Threaded	Bronze							1694	1991	2378							
26-27		Cast Iron	Threaded	Stainless Steel							2182	2574	2748							
26-27		Cast Iron	125# Std. Flg.	Bronze							1890	2160	2495	3263	4024	4584	7513	10497	16989	
26-27		Cast Iron	125# Std. Flg.	Stainless Steel							2319	2947	3263	4121	5520	6216	9806	13001		
26-27		Cast Iron	250# Ex. Hy. Flg.	Bronze							2224	2475	2774	3655	4314	5010	8196	11500		
26-27		Cast Iron	250# Ex. Hy. Flg.	Stainless Steel							2578	3103	3420	4552	5826	6517	10052	14984		
Piston operators replaces diaphragm operator when reduced or set pressure exceeds 60 p.s.i.						1020	1020	1020	1020	1020	1020	1020	1020	1844	1844	1844	2481	2481		

BACK PRESSURE VALVES

NO.	Page #	Body	Connection	Trim	1/4"	1/2"	3/4"	1"	1 1/4"	1 1/2"	2"	2 1/2"	3"	4"	5"	6"	8"	10"	12"
					3/8"														
NO. 135 Steam, Air, Liquid service, Globe or Angle pattern Cup disc type Spring loaded Settings above 5 p.s.i. 	36-37	Bronze	Threaded	Bronze	\$	1309	1309	1411	1575	1855									
	36-37	Cast Iron	Threaded	Bronze							2311	2961	3778						
	36-37	Cast Iron	125# Std. Flg.	Bronze							2386	3076	3848	4391	ON APPLICATION				
	36-37	Cast Iron	250# Ex. Hy. Flg.	Bronze							2588	3285	4071	4586	ON APPLICATION				
	36-37	Cast Iron	Threaded	Stainless Steel							4558	5920	7530	ON APPLICATION					
	36-37	Cast Iron	125# Std. Flg.	Stainless Steel							4731	6138	7712	8738	ON APPLICATION				
	36-37	Cast Iron	250# Ex. Hy. Flg.	Stainless Steel							5014	6415	7989	9037	ON APPLICATION				
	36-37	Cast Iron	250# Ex. Hy. Flg.	Stainless Steel							5014	6415	7989	9037	ON APPLICATION				
NO. 145 Steam, Air, Liquid service, Globe or Angle pattern Cup disc type Weight lever operated Settings 0-15 p.s.i. 	36-37	Bronze	Threaded	Bronze	\$	1309	1309	1411	1575	1855									
	36-37	Cast Iron	Threaded	Bronze							2311	2961	3778						
	36-37	Cast Iron	125# Std. Flg.	Bronze							2386	3076	3848	4391	ON APPLICATION				
	36-37	Cast Iron	250# Ex. Hy. Flg.	Bronze							2588	3285	4071	4586	ON APPLICATION				
	36-37	Cast Iron	Threaded	Stainless Steel							4558	5920	7530	ON APPLICATION					
	36-37	Cast Iron	125# Std. Flg.	Stainless Steel							4731	6138	7712	8738	ON APPLICATION				
	36-37	Cast Iron	250# Ex. Hy. Flg.	Stainless Steel							5014	6415	7989	9037	ON APPLICATION				
	36-37	Cast Iron	250# Ex. Hy. Flg.	Stainless Steel							5014	6415	7989	9037	ON APPLICATION				

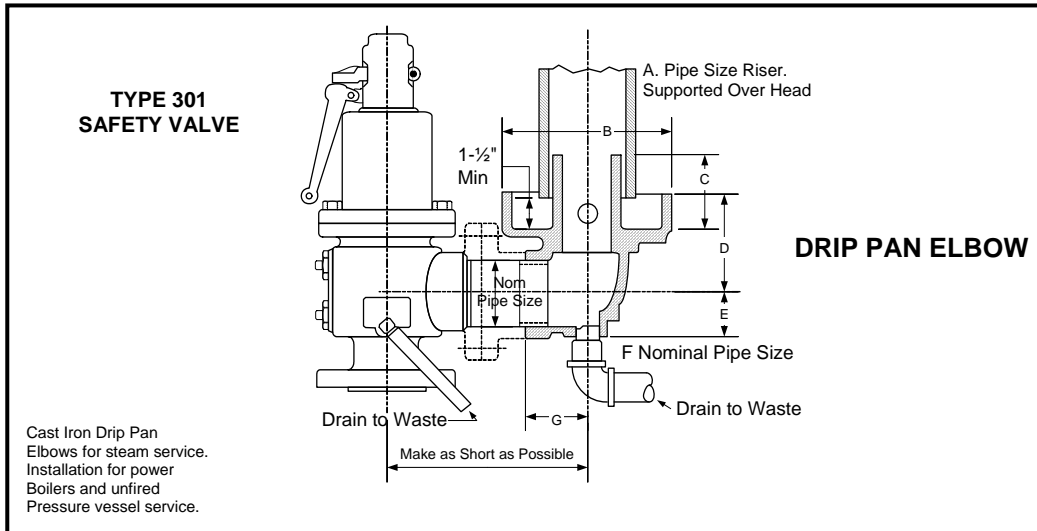
SAFETY VALVES - A.S.M.E. STANDARD

	Page #	Body	Connection	Trim	1/4" 3/8"	1/2"	3/4"	1"	1 1/2"	1 1/2"	2"	2 1/2"	3"	4"	5"	6"	8"	10"	12"
#40 STEAM & AIR	38-39	Bronze	Threaded Side Outlet	Bronze	\$	419	473	534	683	810	1122	1497							
	38-39	Bronze	Threaded Side Outlet	Stainless Steel	ON APPLICATION														
#40-S STEAM & AIR																			
#41 STEAM & AIR	38-39	Bronze	Threaded Top Outlet	Bronze		400	442	506	644	769	1063								
	38-39	Bronze	Threaded Top Outlet	Stainless Steel	ON APPLICATION														

#301 Enclosed Spring Stainless St. Trim	40-41	Cast Iron	SIZE INLET	ORIFICE	OUTLET	S.S. TRIM	SIZE INLET	ORIFICE	OUTLET	S.S. TRIM
			1 1/2"	J	2 1/2"	\$2,648	3	L	4	\$4,435
2"	J	2 1/2"	\$2,976	4	L	4	\$4,766			
2 1/2"	J	2 1/2"	\$3,058	3	M	4	\$5,151			
2"	K	3	\$3,003	4	M	4	\$5,617			
2 1/2"	K	3	\$3,356	4	N	6	\$8,752			
3"	K	3	\$3,428	4	P	6	\$10,689			
2 1/2"	L	4	\$3,948	6	Q	8	\$16,084			
				6	R	8	\$20,916			

NOTE: FOR PRESSURE SETTINGS BELOW 10 P.S.I. ADD 10% TO ABOVE PRICES FOR ALL SIZES

Other Safety Valves Available - Consult Factory



DRIP PAN ELBOWS

	Page #	Body	Connection	Trim	1/4" 3/8"	1/2"	3/4"	1"	1 1/2"	1 1/2"	2"	2 1/2"	3"	4"	5"	6"	8"	10"	12"
DRIP PAN ELBOWS 10" - Fabricated Steel	43	Cast Iron	1-4 pcs		\$		96	96	116	116	124	146	188	304		702	1343	2715	
	43	Cast Iron	5-50 pcs				76	76	91	91	98	111	148	236		586	1105	2373	
	43	Cast Iron	51 or more				67	67	82	82	88	100	135	217		537	1010	2170	
Shipping Weight							2#	2#	5#	5#	7#	11#	19#	27#		80#	150#	205#	

RELIEF VALVES - NON CODED

	Page #	Body	Connection	Trim	1/4" 3/8"	1/2"	3/4"	1"	1 1/2"	1 1/2"	2"	2 1/2"	3"	4"	5"	6"	8"	10"	12"
#42 FOR LIQUIDS	38	Bronze	Threaded Side Outlet	Bronze	\$	442	452	506	614	718	883	1717	2695						Pressure Cap
#43 FOR LIQUIDS	38	Bronze	Threaded Side Outlet	Bronze		450	461	541	644	764	1049	1798	2897						Handwheel
#44 FOR LIQUIDS	38	Bronze	Threaded Side Outlet	Bronze		681	706	879	1079	1132	1336	2162	3171						Lift Lever