

Suction Diffuser - Iron Body

Style PSD 125# Flanged 2" x 1-1/2" thru 20" x 20"	2
Technical Data	3

Triple Duty Valve - Iron Body

Style TDV 125# Flanged 2" - 20"	4
Technical Data	5

Pressure Drop Charts

Suction Diffuser	6
Triple Duty Valve	7

Style PSD

Suction Diffuser

Cast Iron (ASTM A 126, Class B)

125 lb. Flanged



Suction Diffuser

APPLICATIONS

The Keckley Style PSD mounts to the suction side of a pump in either a horizontal or vertical position. It is designed to remove any foreign matter that may be hazardous to the pump or other system components, while providing the proper flow conditions to the pump. Where space is limited, the Keckley Style PSD can be used as an elbow (in some cases a reducing elbow) with a built in strainer for easy maintenance and system performance.

CONSTRUCTION

The Keckley Style PSD Suction Diffusers are constructed from rugged cast iron castings that are machined to exacting specifications. These bodies have drilled flanges that are in accordance with ASME B16.1.

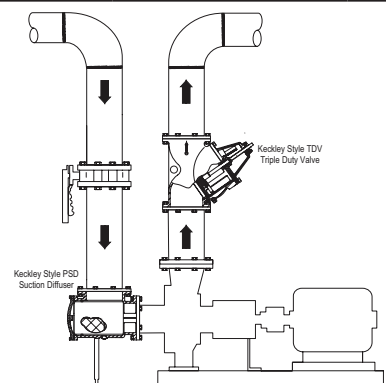
FEATURES

- Reduces installation costs by replacing the strainer, elbow, and entry pipe on the suction side of the pump.
- Integral straightening vanes ensure uniform flow to the suction inlet of the pump.
- Minimal pressure drop (Oversized body & screen).
- Perforated stainless steel screen with a 20 mesh stainless steel removable start-up sleeve to help promote a cleaner more trouble free system.
- Bolted cover plate with O-ring seal - standard. (Knobs available upon request).
- Cast supporting pads on the diffuser body offer easy mounting of standard I.D. support foot.
- Tappin for inlet and outlet differential connections - Optional.
- Drain connection with plug - standard.

WORKING PRESSURES - NON SHOCK

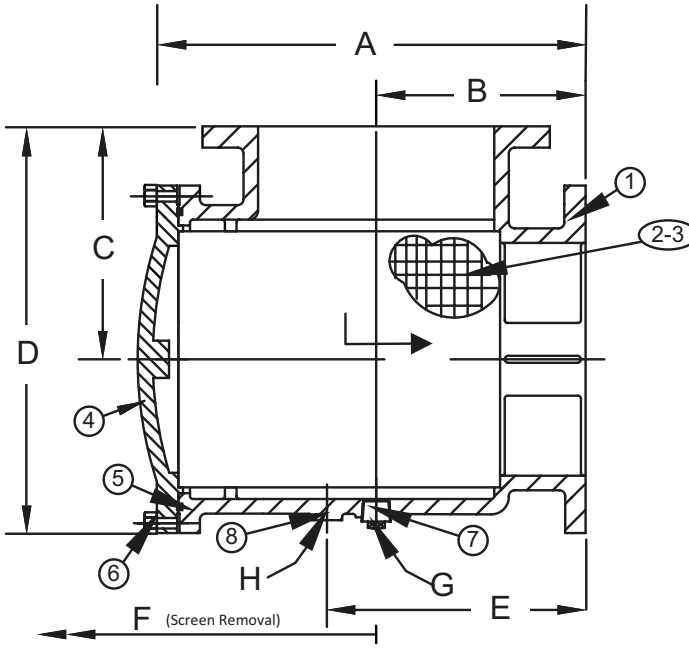
NOM. RATING	MEDIA	2" to 12"	14" and Larger
125# (Flanged)	W.O.G.	200 PSI @ 150°F	150 PSI @ 150°F

Typical Installation



Style PSD

**Suction Diffuser, 125 lb. Flanged
Cast Iron (ASTM A 126, Class B)**



PARTS LIST		
ITEM	DESCRIPTION	MATERIAL
1	Body	Cast Iron (ASTM A 126, Class B)
2	Screen	Stainless Steel (304)
3	Mesh Sleeve*	Stainless Steel (304)
4	Cover	Cast Iron (ASTM A 126, Class B)
5	O-Ring	Buna-N
6	Hex Head Bolt†	Steel
7	Plug	Cast Carbon Steel
8	Stub	Cast Iron (ASTM A 126, Class B)

†Ductile Iron Knobs are available upon request.

SIZE	SCREEN PERFORATION	OPEN AREA
2" to 20"	1/8"	43%

*20 mesh stainless steel sleeves are provided with all Suction Diffusers for start-up applications.

Other meshes or screen perforations available upon request, consult factory.

SIZE Inlet x Outlet	A	B	C	D	E	F	G	H	WEIGHTS LBS.
						Screen Removal	Blow Down Connection	Pipe Support I.D.	
2 x 1-1/2	10	4-1/2	4-1/2	7	6	8-13/16	3/4	1.02	24
2 x 2	10	4-1/2	4-1/2	7	6	8-13/16	3/4	1.02	24
2-1/2 x 2	10-5/8	5	5	7-13/16	6-9/16	9-1/8	3/4	1.02	27
2-1/2 x 2-1/2	10-5/8	5	5	7-13/16	6-9/16	9-1/8	3/4	1.02	37
3 x 2	10	4-1/2	5-1/2	8-1/8	6	9-5/8	3/4	1.30	42
3 x 2-1/2	11-3/16	5-1/2	5-1/2	9	7	9-5/8	3/4	1.30	46
3 x 3	11-3/16	5-1/2	5-1/2	9	7	9-5/8	3/4	1.30	51
4 x 3	13-1/8	6-1/2	6-1/2	11	8-3/4	11-1/2	1	1.30	74
4 x 4	13	6-1/2	6-1/2	11	8-1/4	11-1/2	1	1.30	76
5 x 4	15-1/2	7-1/2	7-1/2	13	10	14-7/8	1	1.30	106
5 x 5	15-1/2	7-1/2	7-1/2	13-3/4	10	14-7/8	1	1.30	111
6 x 4	13-1/8	6-1/2	8	12-3/16	8-3/4	16-9/16	1	1.30	93
6 x 5	16-5/8	8	8	14-7/16	10-11/16	16-9/16	1	1.30	128
6 x 6	16-5/8	8	8	14-1/2	10-11/16	19-9/16	1	1.30	149
8 x 5	19-3/16	9	7-9/16	13-1/8	13	16-7/8	1	1.30	178
8 x 6	16-7/8	8	9	15-1/2	10-11/16	16-7/8	1	1.30	178
8 x 8	21-3/8	9	9	17-1/4	11-5/8	22-7/8	1-1/4	2.05	267
10 x 8	21-3/16	9	11	19-1/4	11-5/8	22-7/8	1-1/4	2.05	353
10 x 10	26-11/16	11	11	20-3/4	14-3/16	30-1/4	1-1/4	2.05	388
12 x 8	21-11/16	11	11	19-1/4	13-5/8	22-7/8	1-1/4	2.05	492
12 x 10	26-11/16	11	12	21-3/4	14-3/16	33	1-1/4	2.05	492
12 x 12	26-11/16	12	12	21-3/4	15-3/8	28-3/4	1-1/4	2.05	529
14 x 10	26-11/16	12-15/16	12-9/16	22-3/16	17-3/16	33	1-1/4	2.05	507
14 x 12	26-11/16	12-15/16	12-9/16	22-3/16	17-3/16	31	1-1/4	2.05	601
14 x 14	26-11/16	12-15/16	12-9/16	22-3/16	17-3/16	33-1/8	1-1/4	2.05	620
16 x 12	29-5/16	14-5/16	13-3/16	23-3/4	18-5/8	28-3/4	1-1/4	2.05	725
16 x 14	29-5/16	14-5/16	13-3/16	23-3/4	18-5/8	31	1-1/2	2.05	750
16 x 16	29-5/16	14-5/16	13-3/16	23-3/4	18-5/8	33-1/8	1-1/2	2.05	820
18 x 18	30-15/16	15-5/16	14-9/16	26-5/16	18-13/16	-	2	2.05	-
20 x 20	33-7/16	16-7/8	16	28-3/4	20-5/16	-	2	2.05	-

Larger sizes available upon request.

Certified dimensional drawings and metric drawings available upon

Style TDV

Triple Duty Valve

Cast Iron (ASTM A 126, Class B)

125 lb. Flanged



Triple Duty Valve

APPLICATIONS

The Keckley Style TDV is a Triple Duty Valve primarily required on the discharge side of a centrifugal pump in a hydronic heating or cooling system. This valve functions as a shut-off valve, spring loaded silent check valve, and balancing valve.

CONSTRUCTION

The Keckley Style TDV Triple Duty Valves are constructed from rugged cast iron castings that are machined to exacting specifications. These bodies have drilled flanges that are in accordance with ASME B16.1.

FEATURES

The center guided soft seal disc ensures that there is no leakage. The rising stem design includes an adjustable position indicator for accurate disc positioning for throttling service. This unit comes with standard gauge taps at both the inlet and outlet sides and a NPT drain plug.

WORKING PRESSURES - NON SHOCK

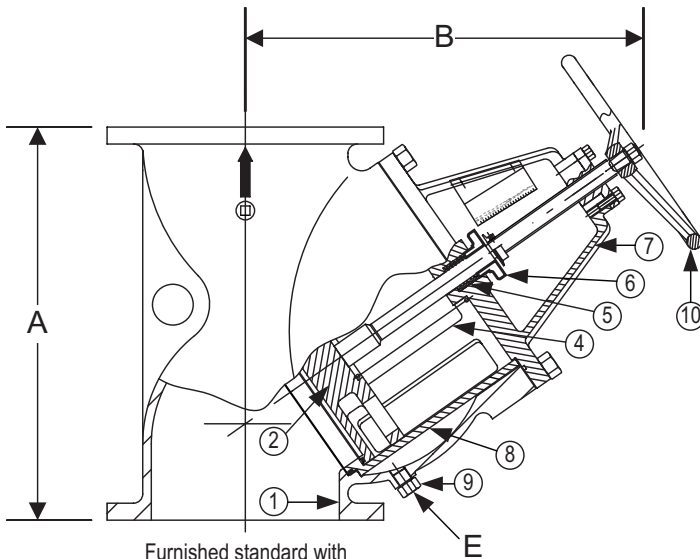
Style TDV

Triple Duty Valve, 125 lb. Flanged
 Cast Iron (ASTM A 126, Class B)

Designed For Pump Protection

Features

- A Shut-off Valve
- A Spring Loaded Silent Check Valve
- A Balancing Valve



Furnished standard with
 1/4" gauge taps & Hand Wheel

PARTS LIST		
ITEM	DESCRIPTION	MATERIAL
1	Body	Cast Iron (ASTM A 126, Class B)
2	Disc	Ductile Iron w/ vulcanized rubber
3	Stem	410 Stainless Steel
4	Spring	304 Stainless Steel
5	Packing	Graphite
6	Gland	Ductile Iron
7	Cover	Cast Iron (ASTM A 126, Class B)
8	Guide	Ductile Iron Nickel Coated
9	Plug	Carbon Steel
10	Handwheel	Cast Iron (ASTM A 126, Class B)
	O-Rings	Buna-N

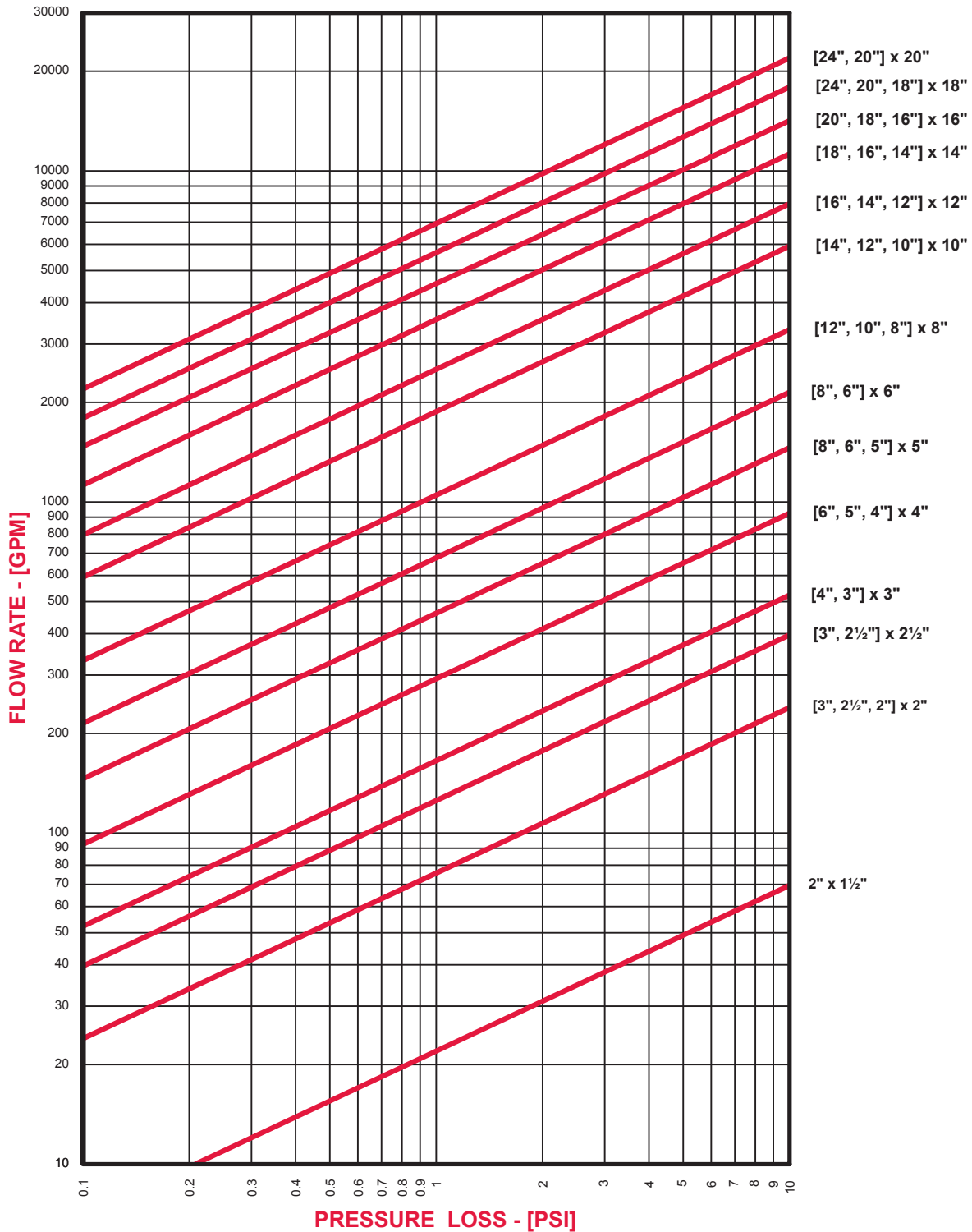
SIZE		DIMENSIONS						WEIGHTS	
		A		B		E			
in	mm	in	mm	in	mm	in	mm	lbs	kgs
2	50	8-3/8	213	9-5/8	244	1/2	15	28	13
2-1/2	65	9-7/8	251	10	254	1/2	15	33	15
3	80	10	254	10-1/8	257	1/2	15	57	26
4	100	14-1/2	368	12-5/8	321	1/2	15	98	44
5	125	16	406	16-3/8	416	1/2	15	157	71
6	150	18	457	17-1/2	445	3/4	20	196	89
8	200	21-1/2	546	18-1/2	470	3/4	20	348	158
10	250	25-1/2	648	21-3/4	552	1	25	475	215
12	300	30	762	24-1/2	622	1	25	656	298
14	350	30-3/8	772	24-1/2	622	3/4	20	787	357
16	400	33-13/16	858	34-11/16	880	2	50	--	--
18	450	36-15/16	938	40-15/16	1040	2	50	--	--
20	500	41-3/8	1050						

Consult Factory

[†]This table reflects only the nearest metric equivalents.

PRESSURE DROP CHART

Suction Diffuser (Styles PSD)



PRESSURE DROP CHART

Triple Duty Valve (Styles TDV)

