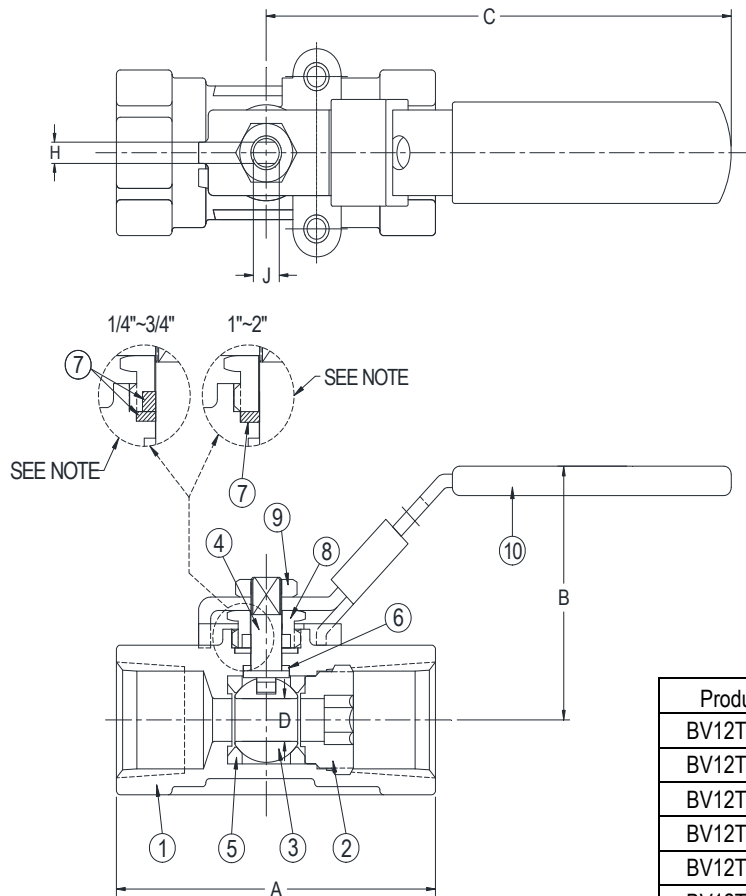


DRAWING NO.
AL 106540




PARTS LIST		
ITEM	DESCRIPTION	MATERIAL
1	Body	Carbon Steel (ASTM A 216 Gr. WCB)
2	Spacer	Carbon Steel (ASTM A 216 Gr. WCB)
3	Ball	Stainless Steel (ASTM A 276 Gr. 316)
4	Stem	Stainless Steel (ASTM A 276 Gr. 316)
5	Seat (2)	R-PTFE
6	Stem Seal	R-PTFE
7	Stem Packing*	Graphite
8	Packing Gland	Stainless Steel (ASTM A 276 Gr. 316)
9	Lock Nut	Carbon Steel
10	Handle	Carbon Steel

* Note: ¼" - ¾" Qty. 2pcs, 1" - 2" Qty. 1pc.

Product Number(s)	Size	Dimensions (in)						Flow Coefficients	Max Torque	Weights
	in	A	B	C	D	H	J	Cv	In/lbs	lbs
BV12THDCSRGLL-025	¼	2.28	1.91	4.29	0.31	0.16	0.25	4.0	60	0.7
BV12THDCSRGLL-038	⅜	2.28	1.91	4.29	0.31	0.16	0.25	4.0	60	0.7
BV12THDCSRGLL-050	½	2.60	1.91	4.29	0.31	0.16	0.25	4.0	60	0.7
BV12THDCSRGLL-075	¾	2.83	2.17	4.29	0.47	0.20	0.31	8.0	75	1.0
BV12THDCSRGLL-100	1	3.23	2.57	5.83	0.62	0.28	0.44	14.2	150	1.6
BV12THDCSRGLL-125	1¼	3.54	2.72	5.83	0.81	0.28	0.44	19.0	180	2.3
BV12THDCSRGLL-150	1½	3.86	3.46	7.36	1.00	0.35	0.56	33.0	300	3.3
BV12THDCSRGLL-200	2	4.33	3.64	7.36	1.25	0.35	0.56	51.0	400	4.7

BODY PRESSURE & TEMPERATURE RATINGS – NON SHOCK	
MEDIA	¼" to 2"
W.O.G.	2000 PSI @ 100°F

 3400 CLEVELAND SKOKIE ILLINOIS	DRAWING NO. AL 106540
	PART NO.
DIMENSIONAL ASSEMBLY	SCALE: NTS
Style BV12 NPT Ends	DATE: 05/24/2018
Ball Valves	DR. BY DSF
MAT'L: (As Noted Above)	REQ. ---