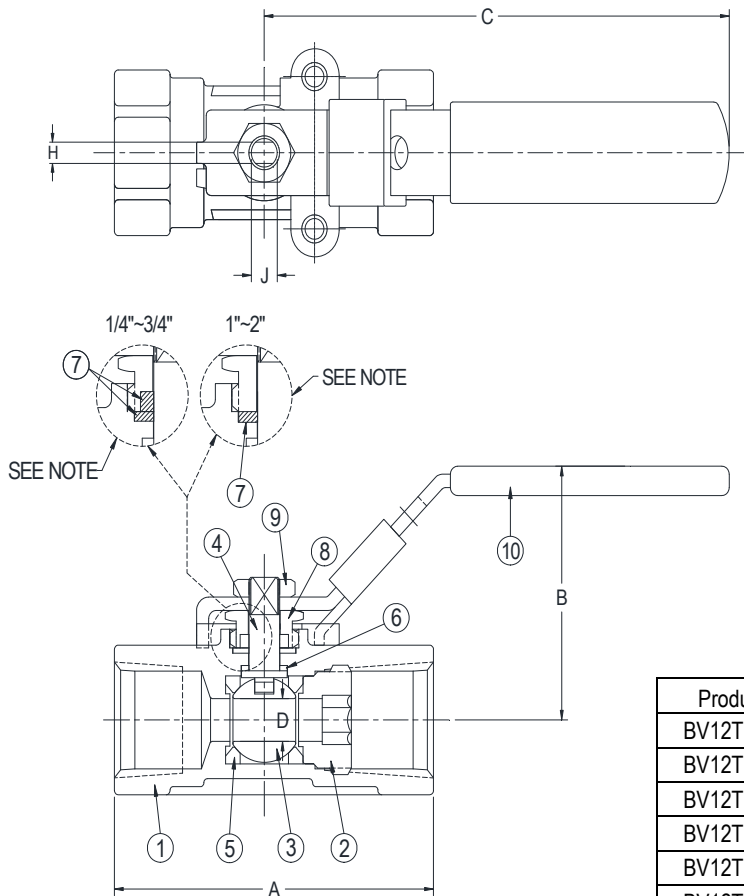


DRAWING NO.
AL 106550




PARTS LIST		
ITEM	DESCRIPTION	MATERIAL
1	Body	Stainless Steel (ASTM A 351 Gr. CF8M)
2	Spacer	Stainless Steel (ASTM A 351 Gr. CF8M)
3	Ball	Stainless Steel (ASTM A 276 Gr. 316)
4	Stem	Stainless Steel (ASTM A 276 Gr. 316)
5	Seat (2)	R-PTFE
6	Stem Seal	R-PTFE
7	Stem Packing*	Graphite
8	Packing Gland	Stainless Steel (ASTM A 276 Gr. 316)
9	Lock Nut	304SS
10	Handle	304SS

* Note: 1/4" - 3/4" Qty. 2pcs, 1" - 2" Qty. 1pc.

Product Number(s)	Size	Dimensions (in)						Flow Coefficients	Max Torque	Weights
	in	A	B	C	D	H	J	Cv	In/lbs	lbs
BV12THDSSRGSL-025	1/4	2.28	1.91	4.29	0.31	0.16	0.25	4.0	60	0.7
BV12THDSSRGSL-038	3/8	2.28	1.91	4.29	0.31	0.16	0.25	4.0	60	0.7
BV12THDSSRGSL-050	1/2	2.60	1.91	4.29	0.31	0.16	0.25	4.0	60	0.7
BV12THDSSRGSL-075	3/4	2.83	2.17	4.29	0.47	0.20	0.31	8.0	75	1.0
BV12THDSSRGSL-100	1	3.23	2.57	5.83	0.62	0.28	0.44	14.2	150	1.6
BV12THDSSRGSL-125	1 1/4	3.54	2.72	5.83	0.81	0.28	0.44	19.0	180	2.3
BV12THDSSRGSL-150	1 1/2	3.86	3.46	7.36	1.00	0.35	0.56	33.0	300	3.3
BV12THDSSRGSL-200	2	4.33	3.64	7.36	1.25	0.35	0.56	51.0	400	4.7

BODY PRESSURE & TEMPERATURE RATINGS - NON SHOCK	
MEDIA	1/4" to 2"
W.O.G.	2000 PSI @ 100°F

 3400 CLEVELAND SKOKIE ILLINOIS	DRAWING NO. AL 106550
	PART NO.
DIMENSIONAL ASSEMBLY	SCALE: NTS
Style BV12 NPT Ends	DATE: 05/24/2018
Ball Valves	DR. BY DSF
MAT'L: (As Noted Above)	REQ. ---