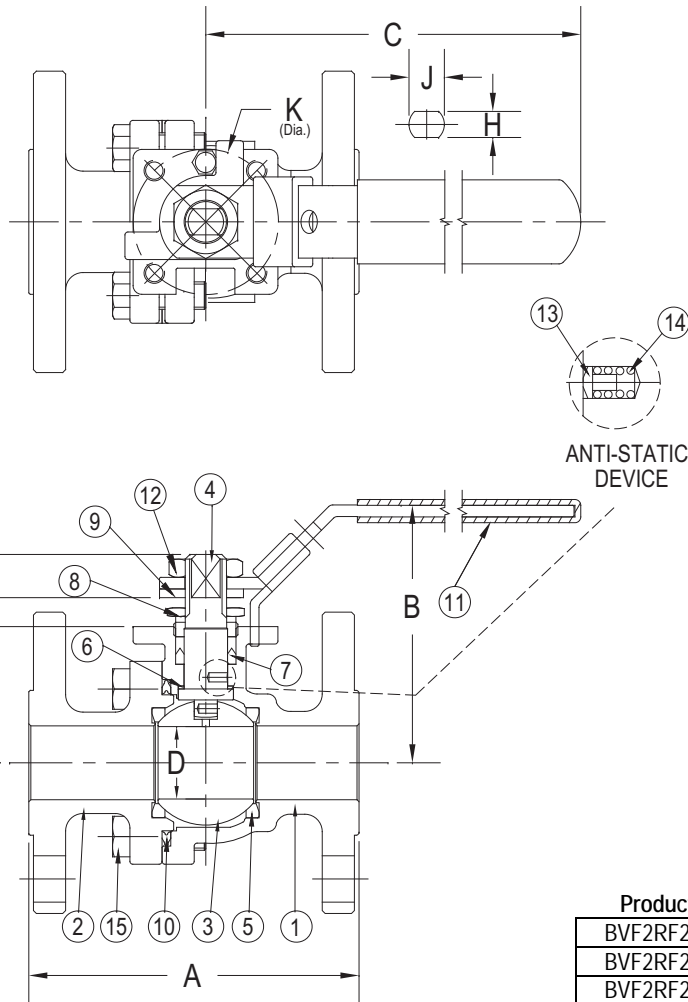


DRAWING NO.
AL 105840




PARTS LIST		
ITEM	DESCRIPTION	MATERIAL
1	Body	Stainless Steel (ASTM A 351, CF8M)
2	Tailpiece	Stainless Steel (ASTM A 351, CF8M)
3	Ball	Stainless Steel (ASTM A 351, CF8M) or 316SS
4	Stem	Stainless Steel (ASTM A 276, 316)
5	Seat (2)	R-PTFE
6	Thrust Washer	PTFE
7	Stem Packing	Graphite
8	Packing Gland	Stainless Steel (ASTM A 351, CF8M)
9	Lock Plate	Stainless Steel (300 Series SS)
10	Body Gasket	Graphite
11	Handle	Stainless Steel (300 Series SS)
12	Handle Nut	Stainless Steel (300 Series SS)
13	Grounding Pin (2)	Stainless Steel (316SS)
14	Grounding Spring (2)	Stainless Steel (300 Series SS)
15	Body Bolt (4)	Alloy Steel (ASTM A 193, B7)
16	Stop Bolt	Stainless Steel (304SS)

Product Numbers†	SIZE	DIMENSIONS (in)									
	in	A	B	C	D	E	F	G	H	J	K
BVF2RF2FSSRGSL-050	1/2	4.25	2.78	5.17	0.59	2.09	1.34	0.35	0.20	0.31	1.65
BVF2RF2FSSRGSL-075	3/4	4.62	3.07	6.97	0.81	2.57	1.54	0.43	0.28	0.44	1.65
BVF2RF2FSSRGSL-100	1	5.00	3.45	7.76	1.00	2.85	1.85	0.40	0.35	0.57	1.97

BODY PRESSURE & TEMPERATURE RATINGS - NON SHOCK	
MEDIA	½" to 1"
W.O.G.	275 PSI @ 100°F
Saturated Steam (WSP)	195 PSI @ 386°F

Size	ISO Pattern	WEIGHT (lbs)
1/2	F04	3.5
3/4	F04	5.3
1	F05	7.3

 <p>3400 CLEVELAND SKOKIE ILLINOIS</p>	DRAWING NO. AL 105840
	PART NO.
DIMENSIONAL ASSEMBLY	SCALE: NTS
Style BVF2 150lb. Split-body	DATE: 12/20/2017
Ball Valves	DR. BY DSF
MAT'L: (As Noted Above)	REQ. ---