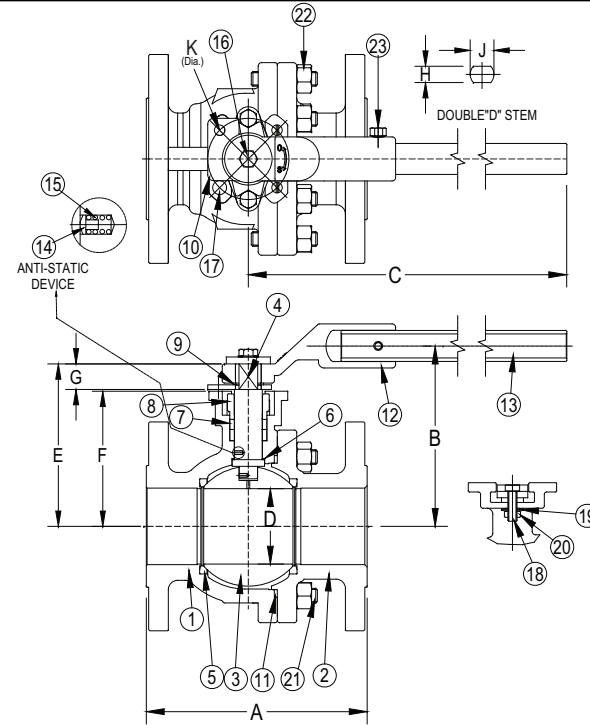


DRAWING NO.
AL 105830

PARTS LIST

| ITEM | DESCRIPTION | MATERIAL |
|------|----------------------|---|
| 1 | Body | Carbon Steel (ASTM A 216, WCB) |
| 2 | Tailpiece | Carbon Steel (ASTM A 216, WCB) |
| 3 | Ball | Stainless Steel (ASTM A 351, CF8M) or 316SS |
| 4 | Stem | Stainless Steel (ASTM A 276, 316) |
| 5 | Seat (2) | R-PTFE |
| 6 | Thrust Washer | PTFE |
| 7 | Stem Packing | Graphite |
| 8 | Packing Gland | Stainless Steel (ASTM A 351, CF8M) |
| 9 | Retaining Ring | Stainless Steel (300 Series SS) |
| 10 | Lock Plate | Stainless Steel (304SS) |
| 11 | Body Gasket | Graphite |
| 12 | Handle | Stainless Steel (300 Series SS) |
| 13 | Handle Extension* | Carbon Steel |
| 14 | Grounding Ball (2) | Stainless Steel (316SS) |
| 15 | Grounding Spring (2) | Stainless Steel (304SS) |
| 16 | Handle Bolt | Stainless Steel (304SS) |
| 17 | Stop Bolt | Stainless Steel (304SS) |
| 18 | Packing Bolt (2) | Alloy Steel (ASTM A 193, B8) |
| 19 | Belleville Washers | Stainless Steel (300 Series SS) |
| 20 | Packing Nut (2) | Alloy Steel (ASTM A 194, 8) |
| 21 | Body Stud Bolts | Alloy Steel (ASTM A 193, B7) |
| 22 | Body Nuts | Alloy Steel (ASTM A 194, 2H) |
| 23 | Handle Ext. Bolt* | Stainless Steel (304SS) |

*Note: Size 2-1/2" to 6" only.



| SIZE | DIMENSIONS (in) | | | | | | | | | | |
|-------|-----------------|------|-------|------|------|------|------|------|------|-------------|---|
| | in | A | B | C | D | E | F | G | H | J | K |
| 1-1/2 | 7.50 | 4.96 | 10.02 | 1.50 | 4.21 | 3.43 | 0.77 | 0.55 | 0.71 | 2.76 | |
| 2 | 8.50 | 5.30 | 10.02 | 2.00 | 4.53 | 3.72 | 0.77 | 0.55 | 0.71 | 2.76 | |
| 3 | 11.12 | 6.23 | 15.94 | 3.00 | 6.20 | 5.28 | 0.87 | 0.67 | 0.87 | 2.76 | |
| 4 | 12.00 | 7.31 | 18.11 | 4.00 | 7.16 | 6.18 | 0.91 | 0.67 | 1.03 | 4.02 | |
| 6 | 15.88 | 9.55 | 24.61 | 6.00 | 9.35 | 7.80 | 1.50 | 0.91 | 1.37 | 4.02 & 4.92 | |

Product Numbers†

| | | | | | | | | | | | |
|---------------------|-------|-------|------|-------|------|------|------|------|------|------|-------------|
| BVF2RF4FC SRGSL-150 | 1-1/2 | 7.50 | 4.96 | 10.02 | 1.50 | 4.21 | 3.43 | 0.77 | 0.55 | 0.71 | 2.76 |
| BVF2RF4FC SRGSL-200 | 2 | 8.50 | 5.30 | 10.02 | 2.00 | 4.53 | 3.72 | 0.77 | 0.55 | 0.71 | 2.76 |
| BVF2RF4FC SRGSL-300 | 3 | 11.12 | 6.23 | 15.94 | 3.00 | 6.20 | 5.28 | 0.87 | 0.67 | 0.87 | 2.76 |
| BVF2RF4FC SRGSL-400 | 4 | 12.00 | 7.31 | 18.11 | 4.00 | 7.16 | 6.18 | 0.91 | 0.67 | 1.03 | 4.02 |
| BVF2RF4FC SRGSL-600 | 6 | 15.88 | 9.55 | 24.61 | 6.00 | 9.35 | 7.80 | 1.50 | 0.91 | 1.37 | 4.02 & 4.92 |

BODY PRESSURE & TEMPERATURE RATINGS – NON SHOCK

| MEDIA | 1½" to 6" |
|-----------------------|-----------------|
| W.O.G. | 740 PSI @ 100°F |
| Saturated Steam (WSP) | 250 PSI @ 406°F |

| Size | ISO Pattern | WEIGHT (lbs) |
|-------|-------------|--------------|
| 1-1/2 | F07 | 25.5 |
| 2 | F07 | 32.0 |
| 3 | F07 | 74.0 |
| 4 | F10 | 122.7 |
| 6 | F10 & F12 | 262.0 |

KECKLEY

3400 CLEVELAND SKOKIE ILLINOIS

DRAWING NO.
AL 105830

DIMENSIONAL ASSEMBLY

PART NO.

Style BVF2 300lb. Split-body

SCALE: NTS

Ball Valves

DATE: 01/21/2020

MAT'L: (As Noted Above)

REQ. ---

DR. BY DSF