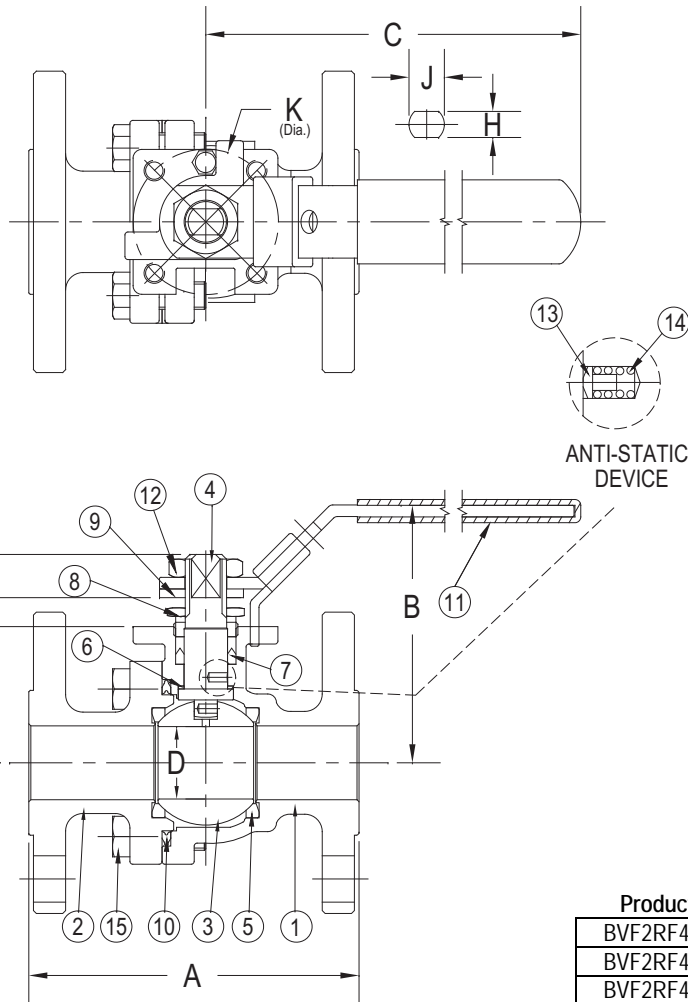


DRAWING NO.  
AL 105820



| PARTS LIST |                      |   |
|------------|----------------------|---|
| ITEM       | DESCRIPTION          | MATERIAL                                    |
| 1          | Body                 | Carbon Steel (ASTM A 216, WCB)              |
| 2          | Tailpiece            | Carbon Steel (ASTM A 216, WCB)              |
| 3          | Ball                 | Stainless Steel (ASTM A 351, CF8M) or 316SS |
| 4          | Stem                 | Stainless Steel (ASTM A 276, 316)           |
| 5          | Seat (2)             | R-PTFE                                      |
| 6          | Thrust Washer        | PTFE  |
| 7          | Stem Packing         | Graphite                                    |
| 8          | Packing Gland        | Stainless Steel (ASTM A 351, CF8M)          |
| 9          | Lock Plate           | Stainless Steel (300 Series SS)             |
| 10         | Body Gasket          | Graphite                                    |
| 11         | Handle               | Stainless Steel (300 Series SS)             |
| 12         | Handle Nut           | Stainless Steel (300 Series SS)             |
| 13         | Grounding Pin (2)    | Stainless Steel (316SS)                     |
| 14         | Grounding Spring (2) | Stainless Steel (300 Series SS)             |
| 15         | Body Bolt (4)        | Alloy Steel (ASTM A 193, B7)                |
| 16         | Stop Bolt            | Stainless Steel (304SS)                     |

| Product Numbers <sup>†</sup> | SIZE | DIMENSIONS (in) |      |      |      |      |      |      |      |      |      |
|------------------------------|------|-----------------|------|------|------|------|------|------|------|------|------|
|                              | in   | A               | B    | C    | D    | E    | F    | G    | H    | J    | K    |
| BVF2RF4FC SRGSL-050          | 1/2  | 5.50            | 2.78 | 5.17 | 0.59 | 2.09 | 1.34 | 0.35 | 0.20 | 0.31 | 1.65 |
| BVF2RF4FC SRGSL-075          | 3/4  | 6.00            | 3.03 | 6.97 | 0.81 | 2.57 | 1.54 | 0.43 | 0.28 | 0.44 | 1.65 |
| BVF2RF4FC SRGSL-100          | 1    | 6.50            | 3.46 | 7.76 | 1.00 | 2.85 | 1.85 | 0.40 | 0.35 | 0.57 | 1.97 |

| BODY PRESSURE & TEMPERATURE RATINGS - NON SHOCK |                 |
|---|-----------------|
| MEDIA   | ½" to 1"        |
| W.O.G.  | 740 PSI @ 100°F |
| Saturated Steam (WSP)                           | 250 PSI @ 406°F |

| Size | ISO Pattern | WEIGHT (lbs) |
|------|-------------|--------------|
| 1/2  | F04         | 5.3          |
| 3/4  | F04         | 8.1          |
| 1    | F05         | 11.0         |

|   |                          |
|---|--------------------------|
| <br>3400 CLEVELAND SKOKIE ILLINOIS | DRAWING NO.<br>AL 105820 |
|   | PART NO.                 |
| DIMENSIONAL ASSEMBLY  | SCALE: NTS               |
| Style BVF2 300lb. Split-body  | DATE: 12/20/2017         |
| Ball Valves   | DR. BY DSF               |
| MAT'L: (As Noted Above)   | REQ. ---                 |