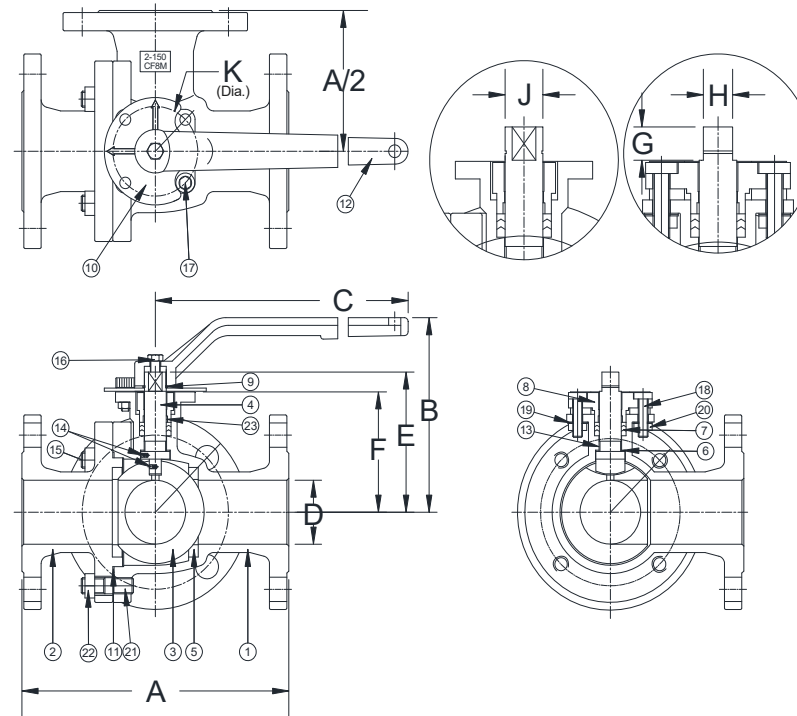


DRAWING NO.  
AL 106620

PARTS LIST

ITEM	DESCRIPTION	MATERIAL
1	Body	Carbon Steel (ASTM A 216, WCB)
2	Tailpiece	Carbon Steel (ASTM A 216, WCB)
3	Ball	Stainless Steel (ASTM A 351, CF8M) or 316SS
4	Stem	Stainless Steel (ASTM A 276, 316)
5	Seat (2)	PTFE
6	Thrust Washer	PTFE
7	Stem Packing	PTFE
8	Packing Gland	Stainless Steel (ASTM A 351, CF8)
9	Retaining Ring	Stainless Steel (300 Series SS)
10	Lock Plate	Stainless Steel (304SS)
11	Body Gasket	PTFE
12	Handle	Stainless Steel (300 Series SS)
13	Stem Bearing	PTFE
14	Grounding Ball (2)	Stainless Steel (316SS)
15	Grounding Spring (2)	Stainless Steel (304SS)
16	Handle Bolt	Stainless Steel (ASTM A 193, B8)
17	Stop Bolt	Stainless Steel (ASTM A 193, B8)
18	Packing Bolt (2)	Stainless Steel (ASTM A 193, B8)
19	Belleville Washers	Stainless Steel (300 Series SS)
20	Packing Nut (2)	Stainless Steel (ASTM A 194, 8)
21	Body Stud Bolts	Alloy Steel (ASTM A 193, B7)
22	Body Nuts	Alloy Steel (ASTM A 194, 2H)
23	Stem Bearing	PTFE




BODY PRESSURE & TEMPERATURE RATINGS – NON SHOCK

MEDIA	1½" to 4"
W.O.G.	285 PSI @ 100°F
Saturated Steam (WSP)	200 PSI @ 388°F

SIZE	DIMENSIONS (in)										
	in	A	B	C	D	E	F	G	H	J	K
Product Numbers†											
BVF3RF2FCSVVSL-150	1-1/2	8.27	5.55	8.66	1.50	3.88	3.27	0.51	0.55	0.71	2.76
BVF3RF2FCSVVSL-200	2	8.66	6.02	8.66	2.00	4.23	3.62	0.51	0.55	0.71	2.76
BVF3RF2FCSVVSL-300	3	10.24	7.86	12.60	3.00	5.87	5.00	0.77	0.67	0.87	2.76
BVF3RF2FCSVVSL-400	4	12.99	8.70	16.93	4.00	7.05	6.18	0.80	0.67	1.02	4.02

Size	ISO Pattern	WEIGHT (lbs)
1-1/2	F07	19.5
2	F07	28
3	F07	56
4	F10	101.5

 3400 CLEVELAND SKOKIE ILLINOIS	DRAWING NO. AL 106620
	PART NO.
DIMENSIONAL ASSEMBLY	SCALE: NTS
Style BVF3 150lb. Split-body	DATE: 08/11/2021
Ball Valves	DR. BY DSF
MAT'L: (As Noted Above)	REQ. ---