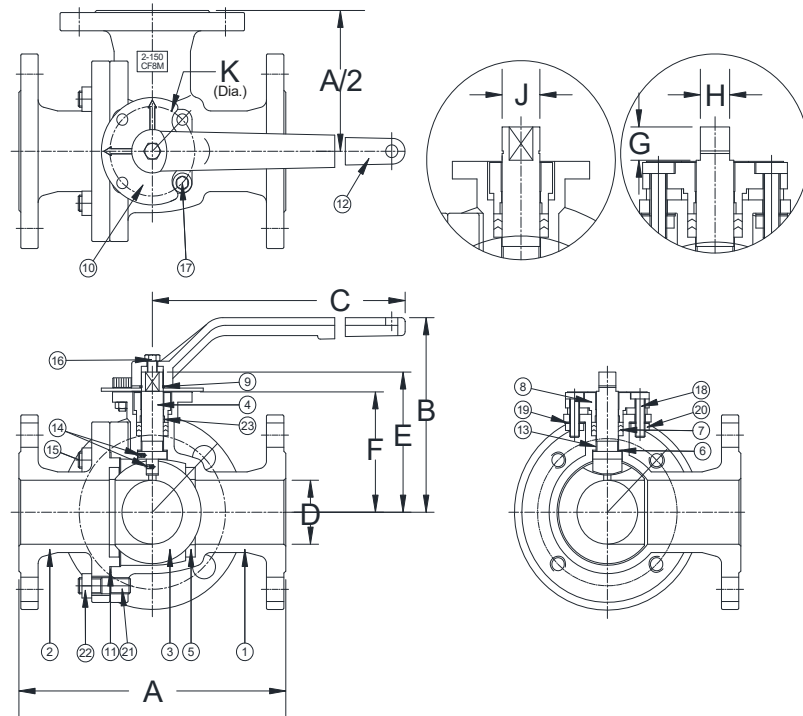


DRAWING NO.  
AL 106630

PARTS LIST

| ITEM | DESCRIPTION          | MATERIAL                                    |
|------|----------------------|---|
| 1    | Body                 | Stainless Steel (ASTM A 351, CF8M)          |
| 2    | Tailpiece            | Stainless Steel (ASTM A 351, CF8M)          |
| 3    | Ball                 | Stainless Steel (ASTM A 351, CF8M) or 316SS |
| 4    | Stem                 | Stainless Steel (ASTM A 276, 316)           |
| 5    | Seat (2)             | PTFE  |
| 6    | Thrust Washer        | PTFE  |
| 7    | Stem Packing         | PTFE  |
| 8    | Packing Gland        | Stainless Steel (ASTM A 351, CF8)           |
| 9    | Retaining Ring       | Stainless Steel (300 Series SS)             |
| 10   | Lock Plate           | Stainless Steel (304SS)                     |
| 11   | Body Gasket          | PTFE  |
| 12   | Handle               | Stainless Steel (300 Series SS)             |
| 13   | Stem Bearing         | PTFE  |
| 14   | Grounding Ball (2)   | Stainless Steel (316SS)                     |
| 15   | Grounding Spring (2) | Stainless Steel (304SS)                     |
| 16   | Handle Bolt          | Stainless Steel (ASTM A 193, B8)            |
| 17   | Stop Bolt            | Stainless Steel (ASTM A 193, B8)            |
| 18   | Packing Bolt (2)     | Stainless Steel (ASTM A 193, B8)            |
| 19   | Belleville Washers   | Stainless Steel (300 Series SS)             |
| 20   | Packing Nut (2)      | Stainless Steel (ASTM A 194, 8)             |
| 21   | Body Stud Bolts      | Stainless Steel (ASTM A 193, B8)            |
| 22   | Body Nuts            | Stainless Steel (ASTM A 194, 8)             |
| 23   | Stem Bearing         | PTFE  |




BODY PRESSURE & TEMPERATURE RATINGS – NON SHOCK

| MEDIA                 | 1½" to 4"       |
|-----------------------|-----------------|
| W.O.G.                | 275 PSI @ 100°F |
| Saturated Steam (WSP) | 195 PSI @ 386°F |

| SIZE               | DIMENSIONS (in) |       |      |       |      |      |      |      |      |      |      |
|--------------------|-----------------|-------|------|-------|------|------|------|------|------|------|------|
|                    | in              | A     | B    | C     | D    | E    | F    | G    | H    | J    | K    |
| Product Numbers†   |                 |       |      |       |      |      |      |      |      |      |      |
| BVF3RF2FSSVVSL-150 | 1-1/2           | 8.27  | 5.55 | 8.66  | 1.50 | 3.88 | 3.27 | 0.51 | 0.55 | 0.71 | 2.76 |
| BVF3RF2FSSVVSL-200 | 2               | 8.66  | 6.02 | 8.66  | 2.00 | 4.23 | 3.62 | 0.51 | 0.55 | 0.71 | 2.76 |
| BVF3RF2FSSVVSL-300 | 3               | 10.24 | 7.86 | 12.60 | 3.00 | 5.87 | 5.00 | 0.77 | 0.67 | 0.87 | 2.76 |
| BVF3RF2FSSVVSL-400 | 4               | 12.99 | 8.70 | 16.93 | 4.00 | 7.05 | 6.18 | 0.80 | 0.67 | 1.02 | 4.02 |

| Size  | ISO Pattern | WEIGHT (lbs) |
|-------|-------------|--------------|
| 1-1/2 | F07         | 19.5         |
| 2     | F07         | 28           |
| 3     | F07         | 56           |
| 4     | F10         | 101.5        |

|   |                          |
|---|--------------------------|
| <br>3400 CLEVELAND SKOKIE ILLINOIS | DRAWING NO.<br>AL 106630 |
|   | PART NO.                 |
| DIMENSIONAL ASSEMBLY  | SCALE: NTS               |
| Style BVF3 150lb. Split-body  | DATE: 08/11/2021         |
| Ball Valves   | DR. BY DSF               |
| MAT'L: (As Noted Above)   | REQ. ---                 |