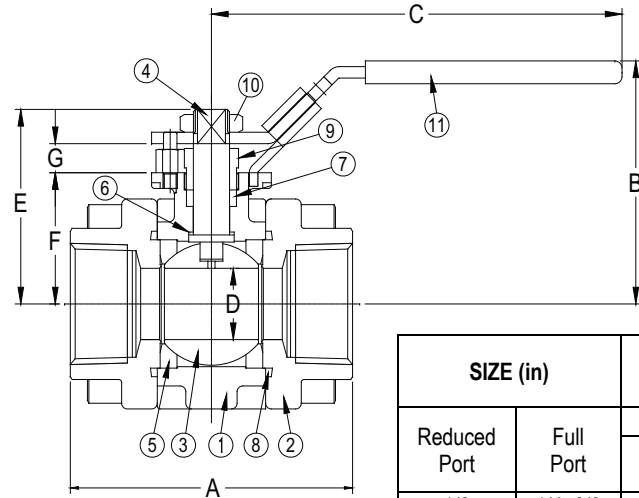
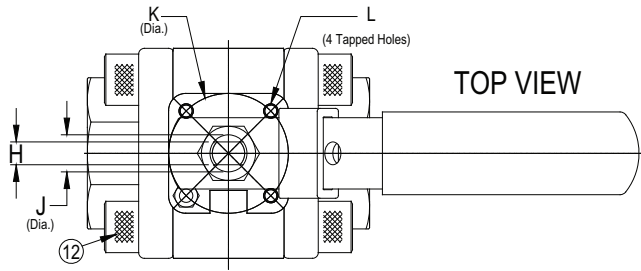


DRAWING NO.
AL 105890



PARTS LIST

ITEM	DESCRIPTION	MATERIAL
1	Body	Stainless Steel (ASTM A 351 Gr. CF8M)
2	Tailpiece (2)	Stainless Steel (ASTM A 351 Gr. CF3M)
3	Ball	Stainless Steel (ASTM A 276 Gr. 316)
4	Stem	Stainless Steel (ASTM A 276 Gr. 316)
5	Seat (2)†	R-PTFE
6	Thrust Washer	R-PTFE
7	Stem Packing	Graphite
8	Body Seal (2)	Graphite
9	Packing Gland	Stainless Steel (ASTM A 276 Gr. 316)
10	Lock Nut	Stainless Steel (304SS)
11	Handle	Stainless Steel (300 Series SS)
12	Body Bolts (8)	Stainless Steel (ASTM A 193, B8)

†Optional PEEK Seats for High Temp Service are available.

DIMENSIONS (in)

SIZE (in)		DIMENSIONS (in)												ISO Pattern	WEIGHT (lbs)
Reduced Port	Full Port	A		B	C	D	E	F	G	H	J	K	L		
		Reduced Port	Full Port												
1/2	1/4, 3/8	2.7	2.7	2.5	4.3	0.43	1.71	1.08	0.31	0.197	0.31	1.42	1/4"-20 UNC	F03	1.7
3/4	1/2	3.0	2.8	2.6	4.3	0.57	1.83	1.24	0.31	0.197	0.31	1.42	1/4"-20 UNC	F03	2.2
1	3/4	3.5	3.2	3.0	5.7	0.81	2.34	1.50	0.37	0.276	0.44	1.65	1/4"-20 UNC	F04	3.8
1-1/4	1	3.9	3.8	3.4	5.8	1.00	2.69	1.81	0.40	0.315	0.50	1.65	1/4"-20 UNC	F04	5.1
1-1/2	1-1/4	4.5	4.3	3.7	7.5	1.25	2.91	1.95	0.43	0.394	0.62	1.97	1/4"-20 UNC	F05	7.1
2	1-1/2	5.0	4.8	3.9	7.5	1.50	3.15	2.26	0.35	0.394	0.62	1.97	1/4"-20 UNC	F05	9.8
2-1/2	2	6.9	5.7	5.3	11.7	2.00	4.37	3.11	0.49	0.472	0.75	2.76	5/16"-18 UNC	F07	20.8

BODY PRESSURE & TEMPERATURE RATINGS – NON SHOCK

MEDIA	1/4" to 2 1/2"
W.O.G.	1920 PSI @ 100°F
Saturated Steam (WSP)	250 PSI @ 406°F

KECKLEY

3400 CLEVELAND SKOKIE ILLINOIS

DRAWING NO.
AL 105890

DIMENSIONAL ASSEMBLY

PART NO.

Style BVM3 NPT Ends

SCALE: NTS

3-Piece Maintenance Design Ball Valve

DATE: 08/10/2020

MAT'L: (As Noted Above)

REQ. ---

DR. BY DSF