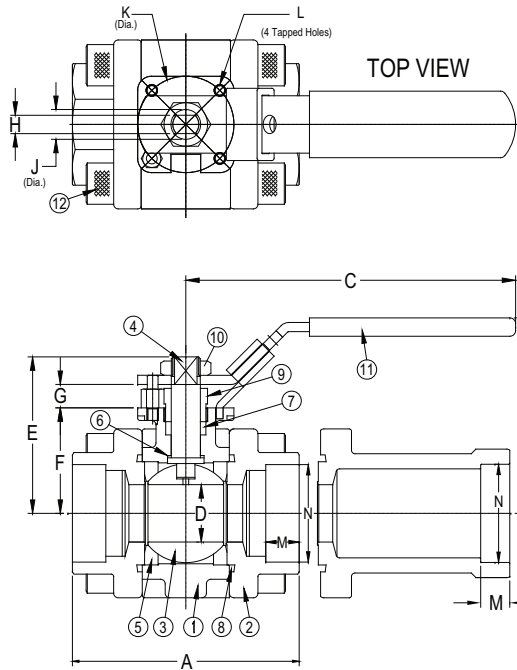


DRAWING NO.  
AL 105910




PARTS LIST		
ITEM	DESCRIPTION	MATERIAL
1	Body	Stainless Steel (ASTM A 351 Gr. CF8M)
2	Tailpiece (2)	Stainless Steel (ASTM A 351 Gr. CF3M)
3	Ball	Stainless Steel (ASTM A 276 Gr. 316)
4	Stem	Stainless Steel (ASTM A 276 Gr. 316)
5	Seat (2)†	R-PTFE
6	Thrust Washer	R-PTFE
7	Stem Packing	Graphite
8	Body Seal (2)	Graphite
9	Packing Gland	Stainless Steel (ASTM A 276 Gr. 316)
10	Lock Nut	Stainless Steel (304SS)
11	Handle	Stainless Steel (300 Series SS)
12	Body Bolts (8)	Stainless Steel (ASTM A 193, B8)

†Optional PEEK Seats for High Temp Service are available.

SIZE (in)		DIMENSIONS (in)																		ISO Pattern	WEIGHT (lbs)
Reduced Port	Full Port	A (Socket Weld)		A (Extended SW)		B	C	D	E	F	G	H	J	K	L	M		N			
		Reduced Port	Full Port	Reduced Port	Full Port											Reduced Port	Full Port				
1/2	1/4, 3/8	2.7	2.7	6.0	N/A	2.5	4.3	0.43	1.71	1.08	0.31	0.197	0.31	1.42	1/4"-20 UNC	0.38	N/A	0.855	F03	1.7	
3/4	1/2	3.0	2.8	7.0	7.0	2.6	4.3	0.57	1.83	1.24	0.31	0.197	0.31	1.42	1/4"-20 UNC	0.50	0.38	1.065	F03	2.2	
1	3/4	3.5	3.2	7.5	7.5	3.0	5.7	0.81	2.34	1.50	0.37	0.276	0.44	1.65	1/4"-20 UNC	0.50	0.50	1.330	F04	3.8	
1-1/4	1	3.9	3.8	8.0	8.0	3.4	5.8	1.00	2.69	1.81	0.40	0.315	0.50	1.65	1/4"-20 UNC	0.50	0.50	1.675	F04	5.1	
1-1/2	1-1/4	4.5	4.3	8.0	8.0	3.7	7.5	1.25	2.91	1.95	0.43	0.394	0.62	1.97	1/4"-20 UNC	0.50	0.50	1.915	F05	7.1	
2	1-1/2	5.0	4.8	9.0	9.0	3.9	7.5	1.50	3.15	2.26	0.35	0.394	0.62	1.97	1/4"-20 UNC	0.62	0.50	2.406	F05	9.8	
2-1/2	2	6.9	5.7	N/A	10.0	5.3	11.7	2.00	4.37	3.11	0.49	0.472	0.75	2.76	5/16"-18 UNC	N/A	0.62	2.906	F07	20.8	

BODY PRESSURE & TEMPERATURE RATINGS – NON SHOCK	
MEDIA	1/4" to 2 1/2"
W.O.G.	1920 PSI @ 100°F
Saturated Steam (WSP)	250 PSI @ 406°F

 3400 CLEVELAND SKOKIE ILLINOIS	DRAWING NO. AL 105910
	PART NO.
DIMENSIONAL ASSEMBLY	SCALE: NTS
Style BVM3 Socket Weld Ends	DATE: 08/10/2020
3-Piece Maintenance Design Ball Valve	DR. BY DSF
MAT'L: (As Noted Above)	REQ. ---