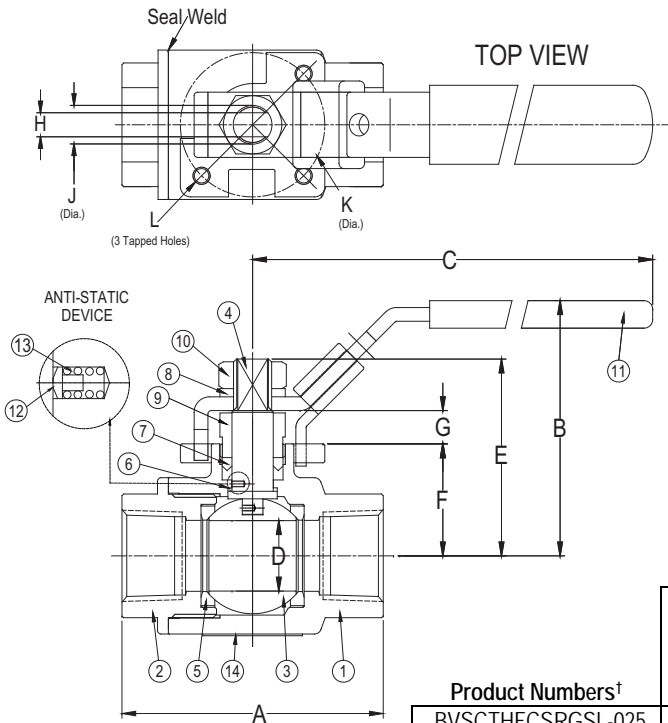


DRAWING NO.  
AL 104760

PARTS LIST		
ITEM	DESCRIPTION	MATERIAL
1	Body	Carbon Steel (ASTM A 216 Gr. WCB)
2	Tailpiece	Carbon Steel (ASTM A 216 Gr. WCB)
3	Ball	Stainless Steel (ASTM A 276 Gr. 316)
4	Stem	Stainless Steel (ASTM A 276 Gr. 316)
5	Seat (2)†	R-PTFE
6	Thrust Washer	R-PTFE
7	Stem Packing	Graphite
8	Spring Washer	Stainless Steel (304SS)
9	Packing Gland	Stainless Steel (ASTM A 276 Gr. 316)
10	Lock Nut	Stainless Steel (304SS)
11	Handle	Stainless Steel (300 Series SS)
12	Grounding Pin	Stainless Steel (316SS)
13	Grounding Spring	Stainless Steel (304SS)
14	Nameplate	Stainless Steel (304SS)

†Optional PEEK Seats for High Temp Service are available.




Product Numbers†	SIZE	DIMENSIONS (in)											ISO Pattern	WEIGHT (lbs)
		A	B	C	D	E	F	G	H	J	K	L		
BVSC THFC SRGSL-025	1/4	2.7	2.2	5.1	0.43	1.53	0.92	0.21	0.20	0.31	1.42	1/4"-20 UNC	F03	1.0
BVSC THFC SRGSL-038	3/8	2.7	2.2	5.1	0.43	1.53	0.92	0.21	0.20	0.31	1.42	1/4"-20 UNC	F03	1.0
BVSC THFC SRGSL-050	1/2	2.7	2.2	5.1	0.50	1.53	0.92	0.21	0.20	0.31	1.42	1/4"-20 UNC	F03	1.0
BVSC THFC SRGSL-075	3/4	3.0	2.8	5.7	0.81	2.26	1.30	0.37	0.28	0.44	1.65	1/4"-20 UNC	F04	2.0
BVSC THFC SRGSL-100	1	3.7	3.1	5.7	1.00	2.49	1.47	0.41	0.28	0.44	1.65	1/4"-20 UNC	F04	3.7
BVSC THFC SRGSL-125	1-1/4	4.0	3.6	7.3	1.25	2.92	1.77	0.44	0.35	0.56	1.97	1/4"-20 UNC	F05	4.7
BVSC THFC SRGSL-150	1-1/2	4.5	3.8	7.8	1.50	3.18	2.02	0.48	0.35	0.56	1.97	1/4"-20 UNC	F05	6.7
BVSC THFC SRGSL-200	2	5.0	4.4	7.8	2.00	3.64	2.38	0.55	0.35	0.56	1.97	1/4"-20 UNC	F05	11.1

†See "Style BVSC Product Number Configuration" for additional options.

BODY PRESSURE & TEMPERATURE RATINGS - NON SHOCK	
MEDIA	1/4" to 2"
W.O.G.	2220 PSI @ 100°F
W.S.P.	250 PSI @ 406°F

Note: Optional PEEK seats WSP is 250 PSI @ 406°F

 3400 CLEVELAND SKOKIE ILLINOIS	DRAWING NO. AL 104760
	PART NO.
DIMENSIONAL ASSEMBLY	SCALE: NTS
Style BVSC NPT Ends	DATE: 12/13/2017
Seal Welded High Pressure Ball Valves	DR. BY DSF
MAT'L: (As Noted Above)	REQ. ---