

Style SGFV

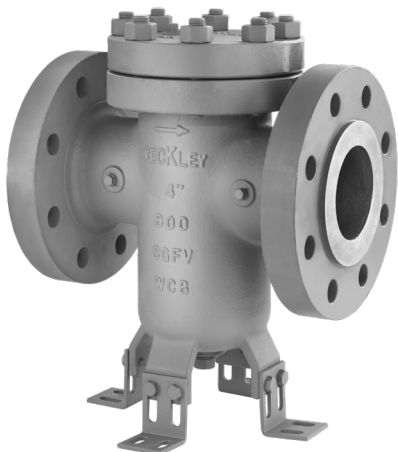
Basket Strainer

Carbon Steel (ASTMA 216, Grade WCB)

Class 600 RF Flanged



Sizes 2" to 3"



Sizes 4" to 12"

Carbon Steel Basket Strainer

APPLICATIONS

Where protection from foreign matter in a pipeline is required.

CONSTRUCTION

The Keckley Style SGFV strainers are constructed from rugged carbon steel castings and are machined to exacting specifications. These bodies have raised faced and drilled flanges that are in accordance with ASME B16.5. All flanges come standard with back-faced bolt holes.

FEATURES

The Keckley Style SGFV strainers feature a basket with an angular cutaway design to allow straight through flow and extremely low pressure loss. The Style SGFV has a bolted top cover flange for ease in basket removal. The Style SGFV gasket is spiral wound 304 stainless steel and is compressed between the body and cover (for maximum strength and durability) and designed for high pressure and high temperature service. Keckley Style SGFV strainers have alloy steel studs and nuts and are furnished standard with a tapped and plugged NPT drain connection.

BASKETS

Standard baskets are 304 stainless steel and are spot welded for maximum strength. Different size perforations and meshes are available in stainless steel, monel, and brass to meet specific media requirements. If media is not indicated, screens for *water* will be supplied.

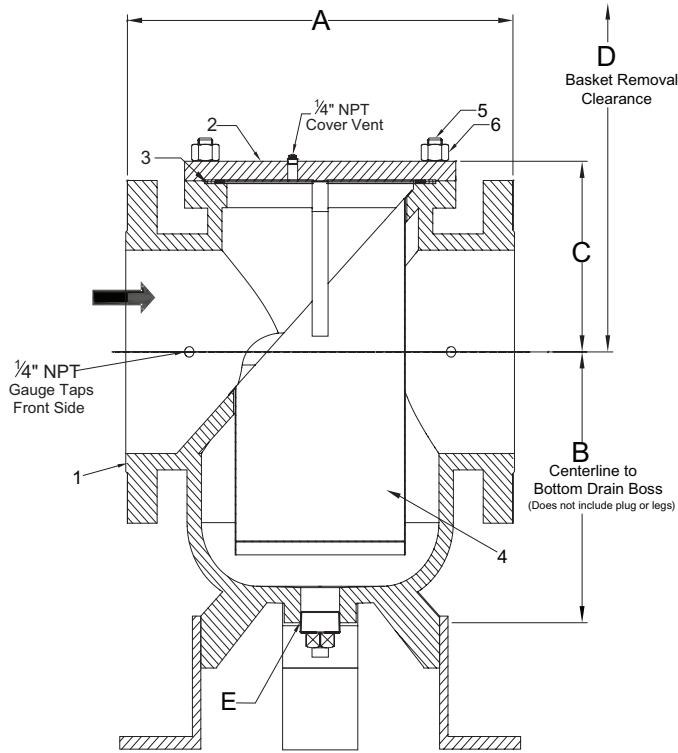
CLEANING

Cleaning of the Style SGFV strainers are accomplished by removing the cover and pulling out the basket. **Warning:** See Maintenance Instructions on page S6 of the Strainer Information Section for additional precautions and detailed information on servicing the strainer.

WORKING PRESSURES - NON SHOCK

NOM. RATING		2" to 12"	50 mm to 300 mm
CLASS 600	BOLTED COVER	1480 PSI @ 100°F	10208 KPa @ 38°C
		600 PSI @ 838°F	4138 KPa @ 448°C

Values listed represent typical market and service applications. Due to numerous variables (concentrations, temperatures, and flow) present in any application, no representation or guarantee, expressed or implied, is given.



Style SGFV

Basket Strainer, RF Flanged
Carbon Steel (ASTM A 216, Grade WCB)

PARTS LIST		
ITEM	DESCRIPTION	MATERIAL
1	Body	Carbon Steel (ASTM A 216, Grade WCB)
2	Cover	Carbon Steel (ASTM A 216, Grade WCB)
3	Gasket	Spiral Wound Stainless Steel (304)
4	Basket	Stainless Steel (304)
5	Studs	Alloy Steel (ASTM A 193, Grade B7)
6	Nuts	Alloy Steel (ASTM A 194, Grade 2H)
7	Plug	Carbon Steel (ASTM A 105)

STANDARD SCREENS SUPPLIED							
SIZE		SCREEN PERFORATION					
		FOR LIQUID		OPEN AREA	FOR STEAM		OPEN AREA
in	mm	in	mm	in	mm	in	mm
2 to 4	50 to 100	1/16	1.6	30%	3/64	1.2	33%
6 to 14	150 to 300	1/8	3.2	43%	1/16	1.6	30%

Standard screens supplied are for **liquid service**, unless otherwise specified.
Options: Other meshes, perforations, and screen materials are available.

SIZE		DIMENSIONS										WEIGHTS	
		A		B		C		D		E			
in	mm	in	mm	in	mm	in	mm	in	mm	in	mm	lbs	kgs
2	50	11-1/4	286	6-1/4	159	4-15/16	125	12-5/8	321	1/2	15	51	23
2-1/2	65	12-1/4	311	6-11/16	170	5-1/2	140	13-3/16	335	1/2	15	80	36
3	80	12-5/8	321	8-1/4	210	6-1/8	156	16-3/4	426	1/2	15	90	41
4	100	14-9/16	370	8-5/8	219	6-5/16	160	17-5/16	440	1	25	160	73
6	150	18-5/16	465	13	330	8-1/16	205	24-5/8	626	1-1/4	32	330	150
8	200	21-9/16	548	15-15/16	405	10	254	31-1/8	797	1-1/2	40	530	241
10	250	26-17/32	674	17-1/2	445	12-5/16	313	36-1/4	921	1-1/2	40	950	431
12	300	30-9/16	776	26-15/16	684	14	356	40	1016	2	50	1220	553

Certified dimensional drawings are available upon request.

†This table reflects only the nearest metric equivalents.

Face to face values tolerance in compliance with ASME B16.5.

Additional Notes:

- Removable/adjustable leg brackets are standard on size 4" through 12".
- Centerline to bottom dimension does not include removable legs, which can extend approximately three to five inches beyond the bottom boss drain.
- Front Side Inlet and Outlet 1/4" NPT gauge taps with plugs are standard on all sizes.
- 1/8" NPT cover vent on sizes 2" - 4"; 1/4" NPT cover vent tap with plug on sizes 6" - 12".

FLOW COEFFICIENTS

Size	C _v	Size	C _v	Size	C _v
2"	45	4"	290	10"	2800
2-1/2"	90	6"	800	12"	3700
3"	140	8"	1600		

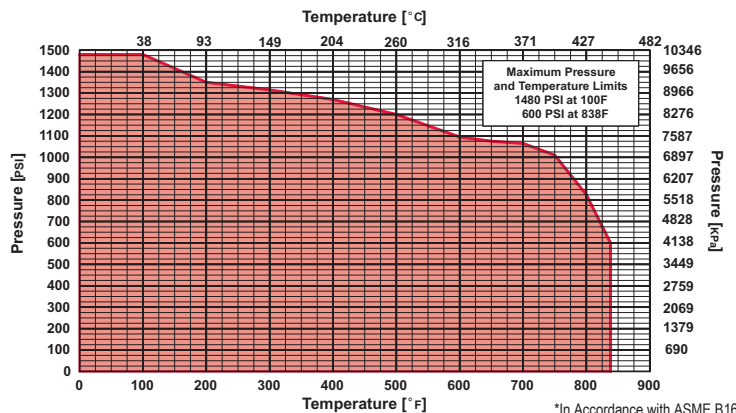
TOTAL SCREEN AREA

Size	(in ²)	Size	(in ²)	Size	(in ²)
2"		4"		10"	
2-1/2"		6"		12"	
3"		8"			

*See DETERMINING RATIOS on page S5 of the Strainer Information Section for calculating NET FREE AREA of the screen to inside pipe area.

PRESSURE vs. TEMPERATURE CHART

Class 600 RF Flanged Carbon Steel (ASTM A 216, Grade WCB)



*In Accordance with ASME B16.5

PRESSURE DROP CHART

Basket Strainers (Styles GFV, GFVK, GFVK7, BGFV, SGFV, SGFVK, SSGFV, and SSGFVK)

This pressure drop chart is based on the flow of clean water through the Keckley strainer styles listed above with screen perforations ranging from 3/64" through 1/8".

TO USE CHARTS:

Find your desired rate of flow (GPM) on the left hand side of the chart. Follow its corresponding horizontal line to the point where it intersects the diagonal line indicating the strainer pipe size. From this point of intersection, follow the vertical line down to the bottom of the chart to determine the approximate pressure drop.

CORRECTION FACTORS:

For finer mesh baskets that are backed with a perforated sheet, multiply the pressure drops shown at right by the following:

40 mesh	x 1.2
60 mesh	x 1.4
80 mesh	x 1.6
100 mesh	x 1.7
150 mesh	x 1.8
200 mesh	x 2.0

