

## Style SSD

Basket Strainer

Stainless Steel (ASTM A 351, Grade CF8M)

Class 300 NPT



## Style SSDK

Basket Strainer

Stainless Steel (ASTM A 351, Grade CF8M)

Class 150 NPT



## 316 Stainless Steel Basket Strainer

### APPLICATIONS

Where protection from foreign matter in a pipeline is required.

### CONSTRUCTION

The Keckley Style SSD and SSDK strainers are constructed from rugged 316 stainless steel castings that are machined to exacting specifications.

### FEATURES

The Keckley Style SSD and SSDK strainers feature a machined basket seat to minimize particle bypass. The Style SSD has a spiral wound 304 stainless steel gasket and is compressed between the body and cover (for maximum strength and durability) and designed for high pressure and high temperature service. The Style SSDK is furnished with a viton o-ring and is limited to 350°F. Keckley threaded Style SSD strainers have carbon steel hex head cap screws. All units are furnished standard with a tapped and plugged NPT drain connection.

### BASKETS

Standard baskets are 304 stainless steel and are spot welded for maximum strength. Different size perforations and meshes are available in stainless steel, monel, and brass to meet specific media requirements. If media is not indicated, screens for *water* will be supplied.

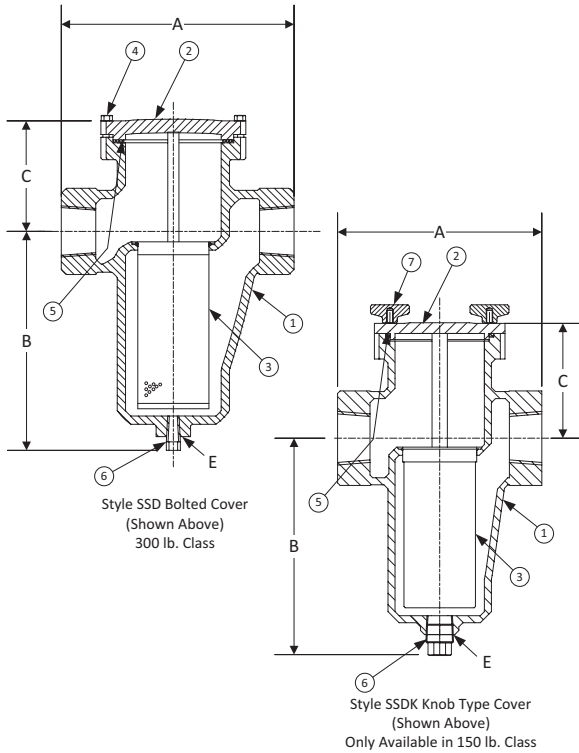
### CLEANING

Cleaning of the Style SSD and SSDK strainers are accomplished by removing the cover and pulling out the basket. **Warning:** See Maintenance Instructions on page S6 of the Strainer Information Section for additional precautions and detailed information on servicing the strainer.

### WORKING PRESSURES - NON SHOCK

NOM. RATING		3/8" to 3"	10 mm to 80 mm
CLASS 300	BOLTED COVER	720 PSI @ 100°F	4966 KPa @ 38°C
		300 PSI @ 1125°F	2069 KPa @ 607°C
NOM. RATING		3/8" to 3"	10 mm to 80 mm
CLASS 150	KNOB TYPE COVER	200 PSI @ 350°F	1379 KPa @ 177°C

Values listed represent typical market and service applications. Due to numerous variables (concentrations, temperatures, and flow) present in any application, no representation or guarantee, expressed or implied, is given.



# Style SSD & SSDK

Basket Strainer, NPT

Stainless Steel (ASTM A 351, Grade CF8M)

PARTS LIST		
ITEM	DESCRIPTION	MATERIAL
1†	Body	Stainless Steel (ASTM A 351, Grade CF8M)
2	Cover	Stainless Steel (ASTM A 351, Grade CF8M)
3	Basket	Stainless Steel (304)
4	Hex Head Cap Screw	Stainless Steel
5	Gasket	Spiral Wound Stainless Steel (304)
6	Plug	Stainless Steel (316)
7*	Knob	Stainless Steel (ASTM A 351, Grade CF8M)
8*	O-ring	Viton (Max Temperature 350°F)

\*Denotes parts for the Style SSDK 150 lb. class only.

†Optional Body Materials Available in 304 and 400 Series SS, Alloy 20, Hastelloy, Inconel, Monel and Stellite.

SIZE		SCREEN PERFORMANCE					
		FOR LIQUID		OPEN AREA	FOR STEAM		OPEN AREA
in	mm	in	mm		in	mm	
3/8 to 2	10 to 50	1/16	1.6	30%	1/32	0.8	29%
2-1/2 & 3	65 & 80	1/16	1.6	30%	3/64	1.2	33%

Standard screens supplied are for **liquid service**, unless otherwise specified.

Options: Other meshes, perforations, and screen materials are available.

SIZE		DIMENSIONS								WEIGHTS	
		A		B		C		E		lbs	kgs
in	mm	in	mm	in	mm	in	mm	in	mm		
3/8	10	4-9/16	116	4	102	3-1/8	79	3/8	10	7	2.78
1/2	15	4-9/16	116	4	102	3-1/8	79	3/8	10	7	2.78
3/4	20	4-9/16	116	4	102	3-1/8	79	3/8	10	7	2.78
1	25	5-5/16	135	4-7/8	124	3	76	3/8	10	8	3.58
1-1/4	32	6-5/16	160	6-1/2	165	4-1/8	105	1/2	15	14	6.30
1-1/2	40	6-5/16	160	6-1/2	165	4-1/8	105	1/2	15	14	6.30
2	50	8-1/4	210	7-7/8	200	4-3/4	121	3/4	20	25	11.30
2-1/2	65	9-5/8	245	8-3/4	222	4	102	1	25	48	21.75
3	80	11-1/4	286	11-3/8	289	5-7/8	149	1	25	48	21.75

Certified dimensional drawings are available upon request.

†This table reflects only the nearest metric equivalents.

Face to face values tolerance in compliance with ASME B16.34.

### FLOW COEFFICIENTS

Size	C <sub>v</sub>	Size	C <sub>v</sub>	Size	C <sub>v</sub>
3/8"	19.9	1"	19.9	2"	55.7
1/2"	19.9	1-1/4"	35.4	2-1/2"	88.5
3/4"	19.9	1-1/2"	35.4	3"	123.3

### TOTAL SCREEN AREA

Size	(in <sup>2</sup> )	Size	(in <sup>2</sup> )	Size	(in <sup>2</sup> )
3/8"	11.72	1"	19.17	2"	64.36
1/2"	11.72	1-1/4"	41.65	2-1/2"	67.60
3/4"	11.72	1-1/2"	41.65	3"	128.17

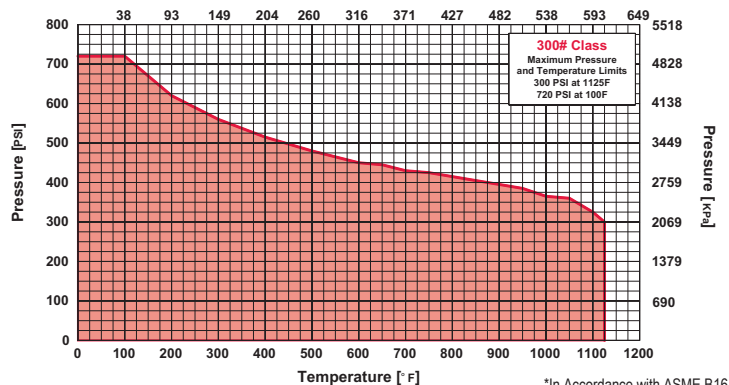
\*See DETERMINING RATIOS on page S5 of the Strainer Information Section for calculating NET FREE AREA of the screen to inside pipe area.

### PRESSURE vs. TEMPERATURE CHART

Class 300 NPT Stainless Steel (ASTM A 351, Grade CF8M)

For use with Bolted Cover Only

Temperature [°C]



\*In Accordance with ASME B16.34

# PRESSURE DROP CHART

## Basket Strainers (Styles D, DV, BD, BDV, SD, SDK, SSD, AND SSDK)

This pressure drop chart is based on the flow of clean water through the Keckley strainer styles listed above with screen perforations ranging from 3/64" through 1/8".

### TO USE CHARTS:

Find your desired rate of flow (GPM) on the left hand side of the chart. Follow its corresponding horizontal line to the point where it intersects the diagonal line indicating the strainer pipe size. From this point of intersection, follow the vertical line down to the bottom of the chart to determine the approximate pressure drop.

### CORRECTION FACTORS:

For finer mesh baskets that are backed with a perforated sheet, multiply the pressure drops shown at right by the following:

40 mesh	x 1.2
60 mesh	x 1.4
80 mesh	x 1.6
100 mesh	x 1.7
150 mesh	x 1.8
200 mesh	x 2.0

