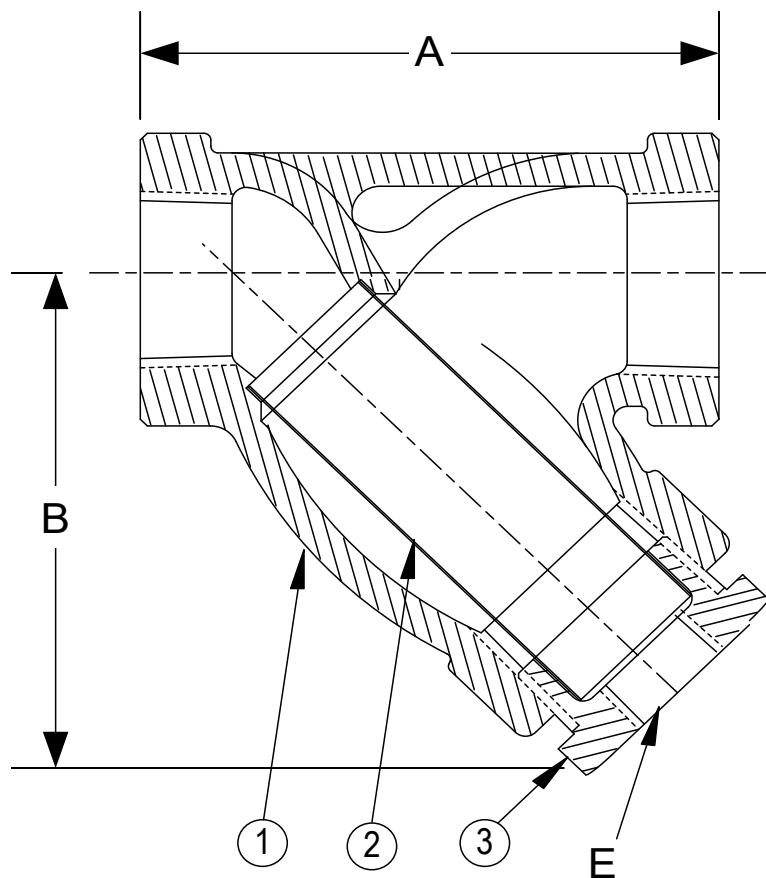


DRAWING NO.
AL 73180



PARTS LIST		
ITEM	DESCRIPTION	MATERIAL
1	BODY	DUCTILE IRON (ASTM A 536, GRADE 65-45-12)
2	SCEEN	STAINLESS STEEL (304)
3	BUSHING	DUCTILE IRON

Optional: Blow-off Plug, Malleable Iron

Product Number [†]	SIZE	DIMENSIONS (in)			WEIGHT (lbs)
		A	B	E	
1/23THY-CIM20M34-FT	1/2	3	2-5/8	3/8	2
3/43THY-CIM20M34-FT	3/4	4	3-5/8	1/2	3
13THY-CIM20M34-FT	1	4-7/8	4-1/2	3/4	4.5
11/43THY-CIM20M34-FT	1-1/4	5-1/8	4-3/4	3/4	6
11/23THY-CIM20M34-FT	1-1/2	5-3/4	4-7/8	1	8
23THY-CIM20M34-FT	2	7-1/4	5-3/4	1-1/4	15.5

[†]See "Style BDI Product Number Configuration" for additional options.

Dimension and weights are for reference only. When required, request certified drawings. Face to face values tolerance in compliance with ASME B16.3.

BODY PRESSURE & TEMPERATURE RATINGS - NON SHOCK	
NOM. RATING	1/2" TO 2"
Class 300	640 PSI @ 100°F
	450 PSI @ 650°F

STANDARD SCREENS SUPPLIED				
SIZE	SCREEN PERFORATION			
	FOR LIQUID	OPEN AREA	FOR STEAM	OPEN AREA
in	in		in	
1/4 to 2	20 MESH STAINLESS STEEL			49%

Standard screens supplied are for **liquid service**, unless otherwise specified. Options: Other perforations, meshes, and screen materials are available.

DRAWING NO.	
AL 73180	
PART NO.	
DIMENSIONAL ASSEMBLY	
1/2" to 2" Class 300 NPT Style BDI	
SCALE: NTS	
DATE: 12/05/2022	
MAT'L: (As Noted Above)	REQ. ---
DR. BY	DSF



3400 CLEVELAND

SKOKIE ILLINOIS