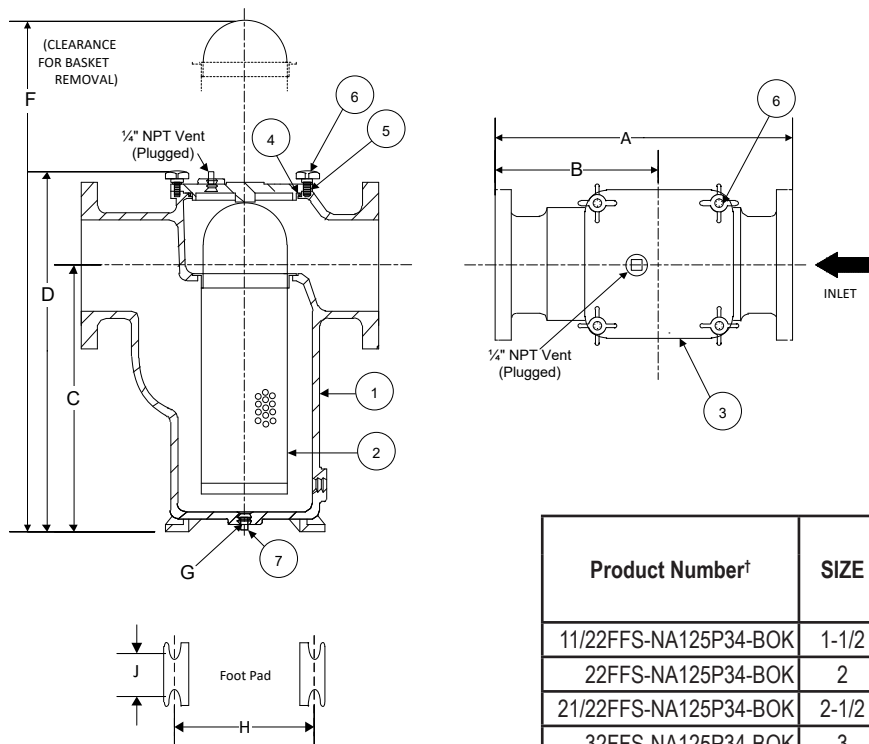


**DRAWING NO.**  
AL 91140



PARTS LIST		
ITEM	DESCRIPTION	MATERIAL
1	BODY	NICKLE ALUMINUM BRONZE (ASTM B 148, C95800)
2	BASKET	STAINLESS STEEL (304)
3	COVER	NICKLE ALUMINUM BRONZE (ASTM B 148, C95800)
4	O-RING	BUNA-N (MAX TEMPERATURE 250°F)
5	STUD	ALLOY STEEL (ASTM A 193, GRADE B7)
6	KNOB	STEEL
7	BODY PLUG	BRASS

Product Number†	SIZE	DIMENSIONS (in)								COVER		WEIGHT (lbs)
		A	B	C	D	F	G	H	J	No of Knobs	Size of Studs	
11/22FFS-NA125P34-BOK	1-1/2	10.25	5.63	7.00	11.00	16	1/4	5.5	2.50	4	1/2-13 x 2-3/16	17
22FFS-NA125P34-BOK	2	10.50	5.75	6.63	10.25	20	1/2	5.5	2.50	4	1/2-13 x 1-3/4	31
21/22FFS-NA125P34-BOK	2-1/2	11.63	6.63	7.88	11.88	23	3/8	6.5	2.88	4	5/8-11 x 2	47
32FFS-NA125P34-BOK	3	13.10	7.25	9.25	13.75	27	3/8	7.0	3.13	4	5/8-11 x 2	76
42FFS-NA125P34-BOK	4	16.75	9.38	9.00	14.75	29	1/2	10.0	3.88	4	5/8-11 x 2-1/2	125
62FFS-NA125P34-BOK	6	19.63	10.81	15.75	24.00	46	1/2	10.0	5.00	6	5/8-11 x 2-3/4	200
82FFS-NA125P34-BOK	8	27.00	16.00	27.00	36.187	61	1/2	15.75	8.50	8	5/8-11 x 2-7/8	285


†See "Style BKF7 Product Number Configuration" for additional options.

Dimension and weights are for reference only. When required, request certified drawings.  
Face to face values tolerance in compliance with ASME B16.24.

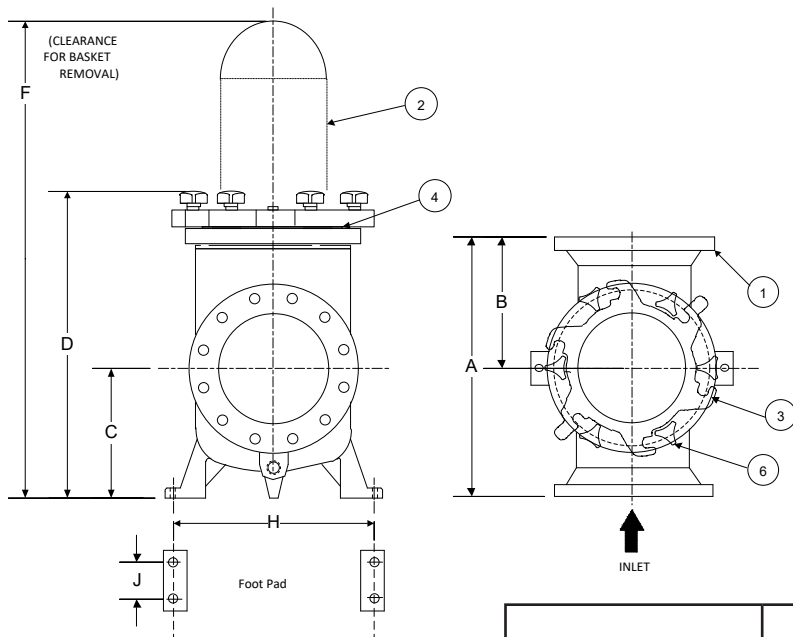
BODY PRESSURE & TEMPERATURE RATINGS - NON SHOCK	
<b>NOM. RATING</b>	<b>1-1/2" TO 8"</b>
Class 150	275 PSI @ 100°F

STANDARD SCREENS SUPPLIED		
SIZE	SCREEN PERFORATION	
	FOR LIQUID	OPEN AREA
in	in	
1-1/2 to 8	1/8	43%

Standard screens supplied are for liquid service, unless otherwise specified.  
Options: Other perforations, meshes, and screen materials are available.

 3400 CLEVELAND SKOKIE ILLINOIS	<b>DRAWING NO.</b>
	AL 91140
<b>DIMENSIONAL ASSEMBLY</b>  1-1/2" to 8" Class 150 FF Flg Style BKF7	<b>PART NO.</b>
<b>MAT'L:</b> (As Noted Above)	<b>SCALE:</b> NTS
<b>REQ. ---</b>	<b>DATE:</b> 01/05/2023
<b>DR. BY</b> DSF	

**DRAWING NO.**  
AL 91155



PARTS LIST		
ITEM	DESCRIPTION	MATERIAL
1	BODY	NICKLE ALUMINUM BRONZE (ASTM B 148, C95800)
2	BASKET	STAINLESS STEEL (304)
3	COVER	NICKLE ALUMINUM BRONZE (ASTM B 148, C95800)
4	O-RING	BUNA-N (MAX TEMPERATURE 250°F)
5	STUD	ALLOY STEEL (ASTM A 193, GRADE B7)
6	KNOB	STEEL
7	BODY PLUG	BRASS

Product Number†	SIZE	DIMENSIONS (in)						COVER		WEIGHT (lbs)	
		A	B	C	D	F	H	J	No of Knobs		Size of Studs
102FFS-NA125P34-BOK	10	23.00	11.00	12.19	25.00	47	19	1" Nominal, 1" Thick	6	1-8 x 3-3/16	420
122FFS-NA125P34-BOK	12	27.25	13.13	16.75	31.00	67	23	1" Nominal, 1" Thick	6	1-8 x 3-1/2	550

†See "Style BKF7 Product Number Configuration" for additional options.  
Dimension and weights are for reference only. When required, request certified drawings.  
Face to face values tolerance in compliance with ASME B16.24.

BODY PRESSURE & TEMPERATURE RATINGS - NON SHOCK	
<b>NOM. RATING</b>	<b>10" TO 12"</b>
Class 150	275 PSI @ 100°F

STANDARD SCREENS SUPPLIED		
SIZE	SCREEN PERFORATION	
	FOR LIQUID	OPEN AREA
in	in	
10 to 12	1/8	43%

Standard screens supplied are for liquid service, unless otherwise specified.  
Options: Other perforations, meshes, and screen materials are available.

 3400 CLEVELAND SKOKIE ILLINOIS	<b>DRAWING NO.</b>
	AL 91155
<b>DIMENSIONAL ASSEMBLY</b> 10" and 12" Class 150 FF Flg Style BKF7	<b>PART NO.</b>
<b>MAT'L:</b> (As Noted Above)	<b>SCALE:</b> NTS
	<b>DATE:</b> 01/05/2023
<b>REQ. ---</b>	<b>DR. BY</b> DSF