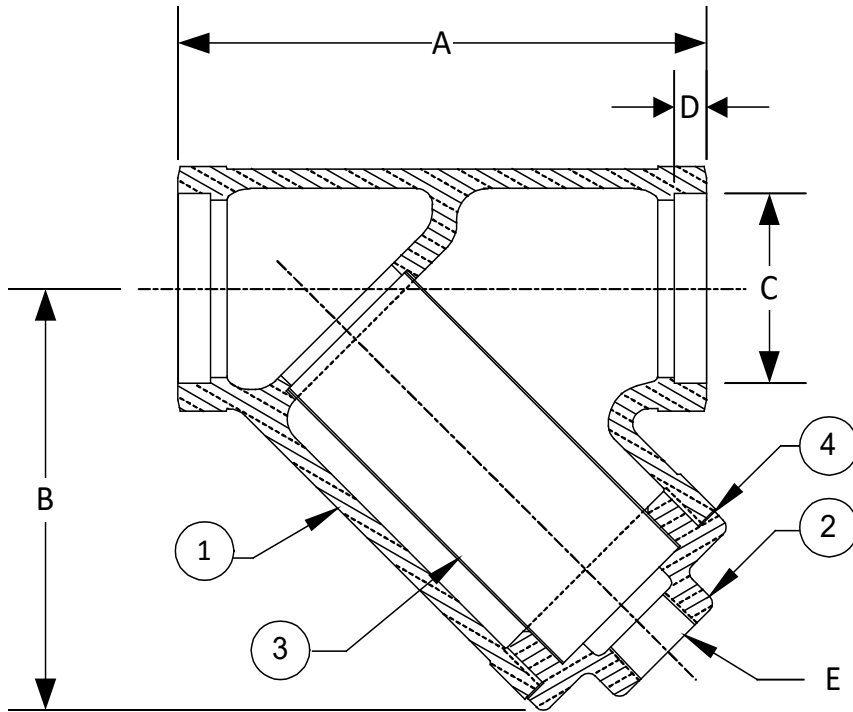


DRAWING NO.
AL 73156



PARTS LIST		
ITEM	DESCRIPTION	MATERIAL
1	BODY	BRONZE (ASTM B 62, C83600)
2	CAP	BRONZE (ASTM B 62, C83600)
3	SCREEN	STAINLESS STEEL (304)
4	GASKET	COPPER

Optional: Blow-off Plug, Brass

Product Number [†]	SIZE	DIMENSIONS (in)					WEIGHT (lbs)
		A	B	C	D	E	
1/43SJY-B2045P34-CT	1/4	2-9/16	2	0.378	5/16	1/8	0.75
3/83SJY-B2045P34-CT	3/8	2-9/16	2	0.503	5/16	1/8	0.75
1/23SJY-B2045P34-CT	1/2	2-9/16	2	0.628	5/16	1/8	0.75
3/43SJY-B2045P34-CT	3/4	2-15/16	2-1/8	0.878	3/8	1/8	1.00
13SJY-B2045P34-CT	1	3-3/8	2-11/16	1.128	13/32	1/4	1.50
11/43SJY-B2045P34-CT	1-1/4	4-1/8	3	1.378	7/16	1/4	2.50
11/23SJY-B2045P34-CT	1-1/2	4-13/16	3-3/4	1.628	1/2	3/8	2.75
23SJY-B2045P34-CT	2	5-3/8	4-3/8	2.130	5/8	1/2	3.00
21/23SJY-B2045P34-CT	2-1/2	6-5/8	5-1/2	2.630	21/32	3/4	4.75
33SJY-B2045P34-CT	3	8-1/4	6-3/4	3.130	3/4	1-1/4	9.00

[†]See "Style E300 Product Number Configuration" for additional options.

Dimension and weights are for reference only. When required, request certified drawings.

Face to face values tolerance in compliance with ASME B16.18.

BODY PRESSURE & TEMPERATURE RATINGS - NON SHOCK	
NOM. RATING	1/4" TO 3"
Class 250	400 PSI @ 150°F
	250 PSI @ 400°F

STANDARD SCREENS SUPPLIED				
SIZE	SCREEN PERFORATION			
	FOR LIQUID	OPEN AREA	FOR STEAM	OPEN AREA
in	in		in	
1/4 to 3	1/32	29%	3/64	33%

Standard screens supplied are for liquid service, unless otherwise specified. Options: Other perforations, meshes, and screen materials are available.

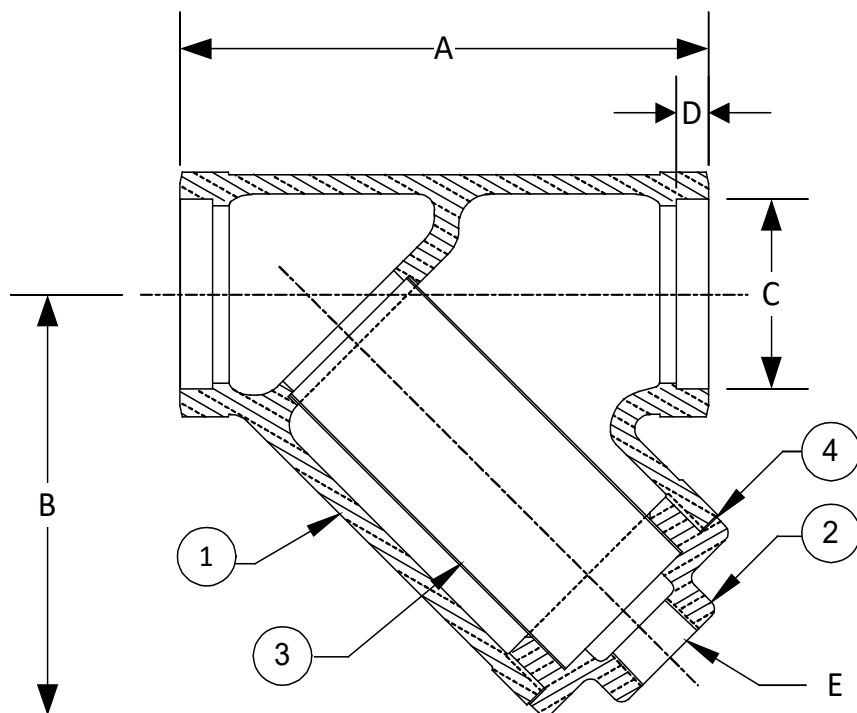
DRAWING NO.	
AL 73156	
PART NO.	
DIMENSIONAL ASSEMBLY	
1/4" to 3" Class 250 Solder Joint Style E300	
For Copper Tubing	
SCALE: NTS	
DATE: 12/05/2022	
DR. BY DSF	
MAT'L: (As Noted Above)	REQ. ---



3400 CLEVELAND

SKOKIE ILLINOIS

DRAWING NO.
AL 73157



PARTS LIST		
ITEM	DESCRIPTION	MATERIAL
1	BODY	BRONZE (ASTM B 62, C83600)
2	CAP	BRONZE (ASTM B 62, C83600)
3	SCREEN	STAINLESS STEEL (304)
4	GASKET	COPPER

Optional: Blow-off Plug, Brass

Product Number [†]	SIZE	DIMENSIONS (in)					WEIGHT (lbs)
		A	B	C	D	E	
1/43SJY-B2045P34-CT	1/4	2-9/16	2	0.503	5/16	1/8	0.75
3/83SJY-B2045P34-CT	3/8	2-9/16	2	0.628	5/16	1/8	0.75
1/23SJY-B2045P34-CT	1/2	2-15/16	2-1/8	0.878	3/8	1/8	1.00
3/43SJY-B2045P34-CT	3/4	3-3/8	2-11/16	1.128	13/32	1/4	1.50
13SJY-B2045P34-CT	1	4-1/8	3	1.378	7/16	1/4	2.50
11/43SJY-B2045P34-CT	1-1/4	4-13/16	3-3/4	1.628	1/2	3/8	4.25
11/23SJY-B2045P34-CT	1-1/2	5-3/8	4-3/8	2.130	5/8	1/2	6.25
23SJY-B2045P34-CT	2	6-5/8	5-1/2	2.630	21/32	3/4	11.00
21/23SJY-B2045P34-CT	2-1/2	8-1/4	6-3/4	3.130	3/4	1-1/4	17.75
33SJY-B2045P34-CT	3	9-5/8	7-1/8	3.505	1	1-1/2	25.75

[†]See "Style E300 Product Number Configuration" for additional options.

Dimension and weights are for reference only. When required, request certified drawings.


Face to face values tolerance in compliance with ASME B16.18.

BODY PRESSURE & TEMPERATURE RATINGS - NON SHOCK	
NOM. RATING	1/4" TO 3"
Class 250	400 PSI @ 150°F
	250 PSI @ 400°F

STANDARD SCREENS SUPPLIED				
SIZE	SCREEN PERFORATION			
	FOR LIQUID	OPEN AREA	FOR STEAM	OPEN AREA
in	in		in	
1/4 to 3	1/32	29%	3/64	33%

Standard screens supplied are for liquid service, unless otherwise specified.

Options: Other perforations, meshes, and screen materials are available.

 3400 CLEVELAND SKOKIE ILLINOIS	DRAWING NO.
	AL 73157
DIMENSIONAL ASSEMBLY 1/4" to 3" Class 250 NPT Style E300 For Copper Pipe	PART NO.
MAT'L: (As Noted Above)	SCALE: NTS
REQ. ---	DATE: 12/05/2022
	DR. BY DSF