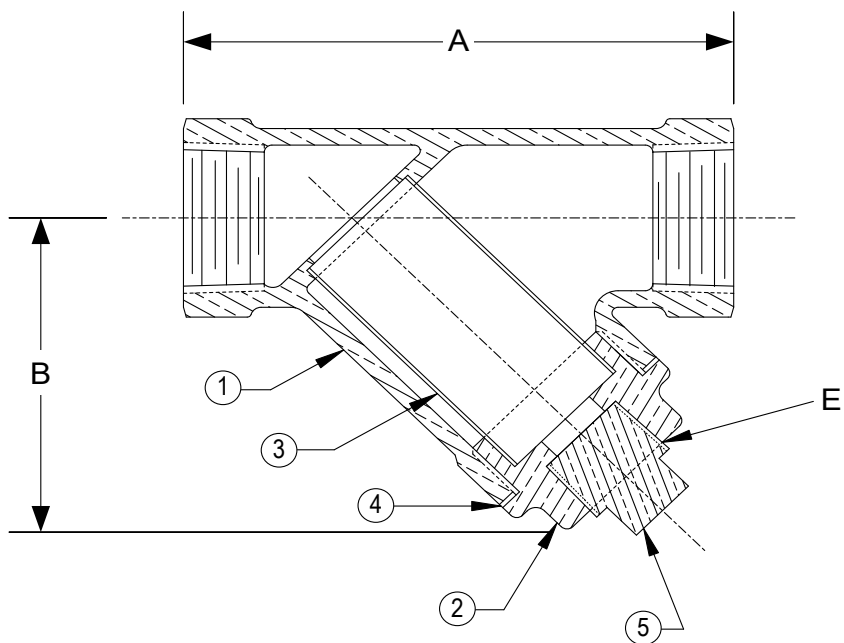


DRAWING NO.
AL 73154



PARTS LIST		
ITEM	DESCRIPTION	MATERIAL
1	BODY	BRONZE (ASTM B 584, C84400)
2	CAP	BRONZE (ASTM B 584, C84400)
3	SCREEN	STAINLESS STEEL (304)
4	GASKET	COMPOSTION
5	PLUG	BRONZE (ASTM B 584, C84400)

Product Number†	SIZE	DIMENSIONS (in)			WEIGHT (lbs)
		A	B	E	
1/41THY-BCM20M34-FTI	1/4	3-3/16	2-1/4	3/8	0.75
3/81THY-BCM20M34-FTI	3/8	3-3/16	2-1/4	3/8	0.75
1/21THY-BCM20M34-FTI	1/2	3-3/16	2-1/4	3/8	0.75
3/41THY-BCM20M34-FTI	3/4	3-15/16	2-5/8	3/8	1.00
11THY-BCM20M34-FTI	1	4-1/2	3	1/2	2.25
11/41THY-BCM20M34-FTI	1-1/4	5-5/16	3-9/16	1/2	2.75
11/21THY-BCM20M34-FTI	1-1/2	6-3/16	4	1/2	3.25
21THY-BCM20M34-FTI	2	7-1/2	4-5/8	1/2	5.75
21/21THY-BC045P34-FTI	2-1/2	9	5-1/2	1/2	8.50
31THY-BC045P34-FTI	3	10-1/8	6-1/8	1/2	12.50

†See "Style F150 Product Number Configuration" for additional options.
Dimension and weights are for reference only. When required, request certified drawings.
Face to face values tolerance in compliance with ASME B16.15.

BODY PRESSURE & TEMPERATURE RATINGS - NON SHOCK	
NOM. RATING	1/4" TO 3"
Class 125	200 PSI @ 150°F
	125 PSI @ 400°F

STANDARD SCREENS SUPPLIED				
SIZE	SCREEN PERFORATION			
	FOR LIQUID	OPEN AREA	FOR STEAM	OPEN AREA
in	in		in	
1/4 to 2	20 MESH STAINLESS STEEL			49%
2-1/2 to 3	3/64	33%	3/64	33%

Standard screens supplied are for **liquid service**, unless otherwise specified.
Options: Other perforations, meshes, and screen materials are available.



3400 CLEVELAND SKOKIE ILLINOIS

DRAWING NO.
AL 73154

DIMENSIONAL ASSEMBLY

PART NO.

1/4" to 3" Class 125 NPT Style F150

SCALE: NTS

(Import)

DATE: 12/05/2022

MAT'L: (As Noted Above)

REQ. ---

DR. BY DSF