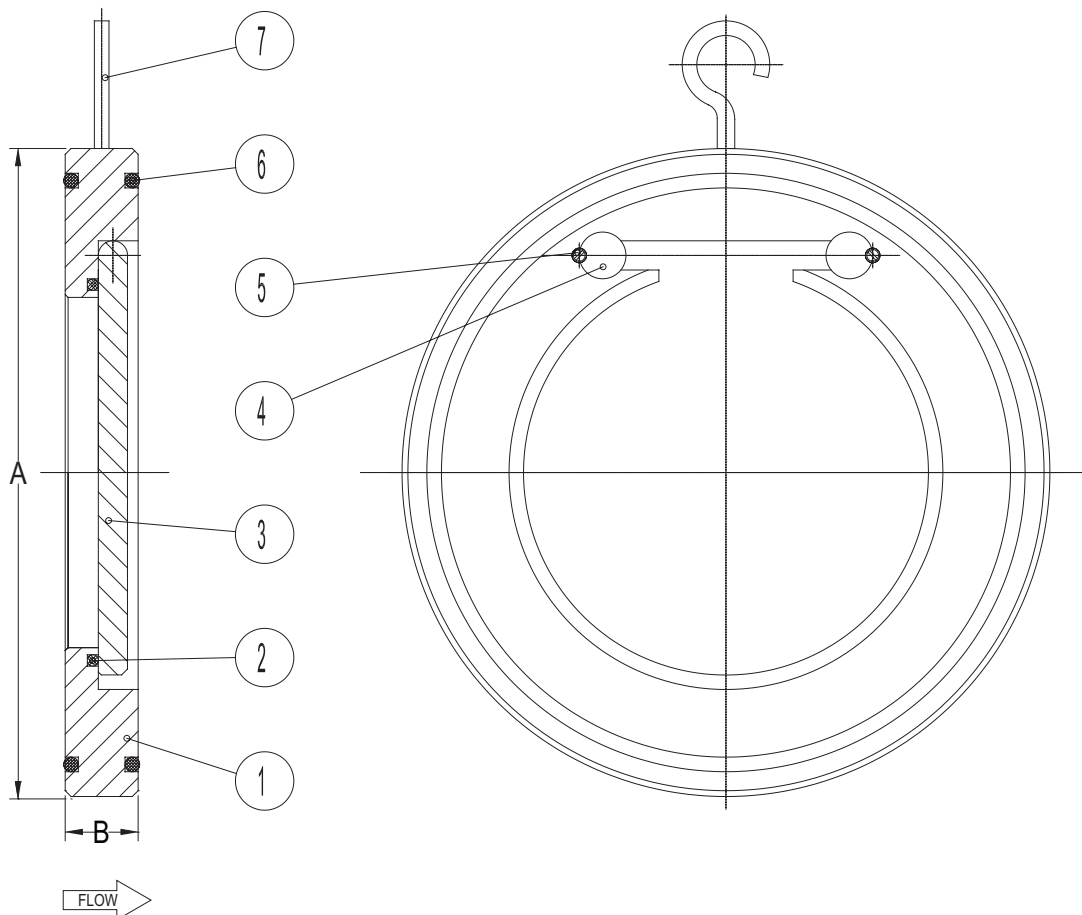


DRAWING NO.
AL 106820



PARTS LIST		
ITEM	DESCRIPTION	MATERIAL
1	Body	Forged Carbon Steel [A 105]
2	Seat	Buna-N
3	Plate	Stainless Steel (A 351, Grade CF8)
4	Holder	Stainless Steel (A 276, Grade 304)
5	Screw	Stainless Steel (304)
6	Flange Seal	Buna-N
7	Eyebolt	Carbon Steel

Product Number [†]	SIZE	DIMENSIONS (in)		WEIGHT (lbs)
		A	B	
SC2R-CS-341NS-200	2	3/4	4-1/16	3
SC2R-CS-341NS-300	3	3/4	5-1/16	4
SC2R-CS-341NS-400	4	3/4	6-13/16	7
SC2R-CS-341NS-500	5	3/4	7-11/16	8
SC2R-CS-341NS-600	6	3/4	8-11/16	10
SC2R-CS-341NS-800	8	1-1/8	10-15/16	24
SC2R-CS-341NS-910	10	1-1/8	13-5/16	33
SC2R-CS-341NS-912	12	1-1/2	16-1/16	67

[†]See "**Style SC2R Product Number Configuration**" for additional options.
Dimension and weights are for reference only. When required, request certified drawings.

BODY PRESSURE & TEMPERATURE RATINGS - NON SHOCK	
NOM. RATING	2" TO 12"
Class 150	285 PSI @ 100°F
	150 PSI @ 565°F

- Note(s):
- Designed and manufactured per API 6D.
 - Face to Face dimensions per API 6D.
 - Pressure Test per API 598.
 - Pressure and Temperature Rating per ASME B16.34.

 3400 CLEVELAND SKOKIE ILLINOIS	DRAWING NO.
	AL 106820
DIMENSIONAL ASSEMBLY	PART NO.
2" to 12" Class 150 Wafer Style SC2R	SCALE: NTS
	DATE: 03/17/2022
MAT'L: (As Noted Above)	DR. BY KEB