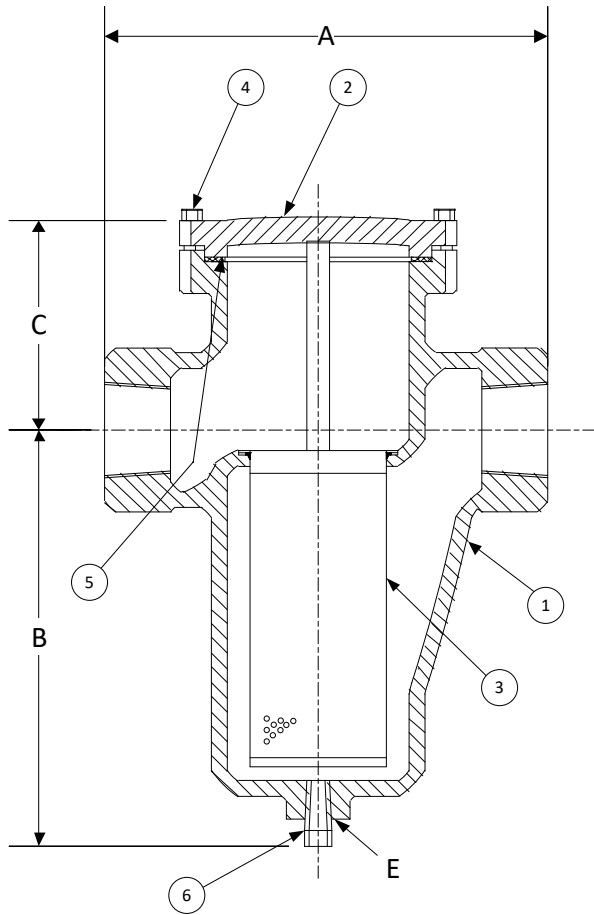


DRAWING NO.
AL 91330C6



PARTS LIST		
ITEM	DESCRIPTION	MATERIAL
1	BODY	CHROME-MOLY (ASTM A 217, GRADE WC6)
2	COVER	CHROME-MOLY (ASTM A 217, GRADE WC6)
3	BASKET	STAINLESS STEEL (304)
4	HEX HEAD CAP SCREW	STAINLESS STEEL (316)
5	GASKET	SPIRAL WOUND STAINLESS STEEL (304) - PTFE FILLED
6	PLUG	STAINLESS STEEL (316)

Product Number [†]	SIZE	DIMENSIONS (in)				COVER		WEIGHT (lbs)
		A	B	C	E	No of Bolts	Size of Bolts	
3/84THS-C6062P34-TB	3/8	4-9/16	4	3-1/8	3/8	2	3/8-16 x 1-3/8	6
1/24THS-C6062P34-TB	1/2	4-9/16	4	3-1/8	3/8	2	3/8-16 x 1-3/8	6
3/44THS-C6062P34-TB	3/4	4-9/16	4	3-1/8	3/8	2	3/8-16 x 1-3/8	6
14THS-C6062P34-TB	1	5-5/16	4-7/8	3	3/8	2	3/8-16 x 1-3/8	9
11/44THS-C6062P34-TB	1-1/4	6-5/16	6-1/2	4-1/8	1/2	2	3/8-16 x 1-1/2	14
11/24THS-C6062P34-TB	1-1/2	6-5/16	6-1/2	4-1/8	1/2	2	3/8-16 x 1-1/2	14
24THS-C6062P34-TB	2	8-1/4	7-7/8	4-3/4	3/4	2	1/2-13 x 1-5/8	27
21/24THS-C6062P34-TB	2-1/2	9-5/8	8-3/4	4	1	2	1/2-13 x 1-3/4	34
34THS-C6062P34-TB	3	11-1/4	11-3/8	5-7/8	1	2	5/8-11 x 2	60

[†]See "Style SD Product Number Configuration" for additional options.
Dimension and weights are for reference only. When required, request certified drawings.
Face to face values tolerance in compliance with ASME B16.34.

BODY PRESSURE & TEMPERATURE RATINGS - NON SHOCK	
NOM. RATING	3/8" TO 3"
Class 300	740 PSI @ 100°F
	300 PSI @ 838°F

STANDARD SCREENS SUPPLIED				
SIZE	SCREEN PERFORATION			
	FOR LIQUID	OPEN AREA	FOR STEAM	OPEN AREA
in	in		in	
3/8 to 2	1/16	30%	1/32	29%
2-1/2 to 3	1/16	30%	3/64	33%

Standard screens supplied are for liquid service, unless otherwise specified.
Options: Other perforations, meshes, and screen materials are available.

 3400 CLEVELAND SKOKIE ILLINOIS	DRAWING NO.
	AL 91330C6
DIMENSIONAL ASSEMBLY	PART NO.
3/8" to 3" Class 300 NPT Flg Style SDC6	SCALE: NTS
	DATE: 03/22/2023
MAT'L: (As Noted Above)	REQ. ---
	DR. BY DSF