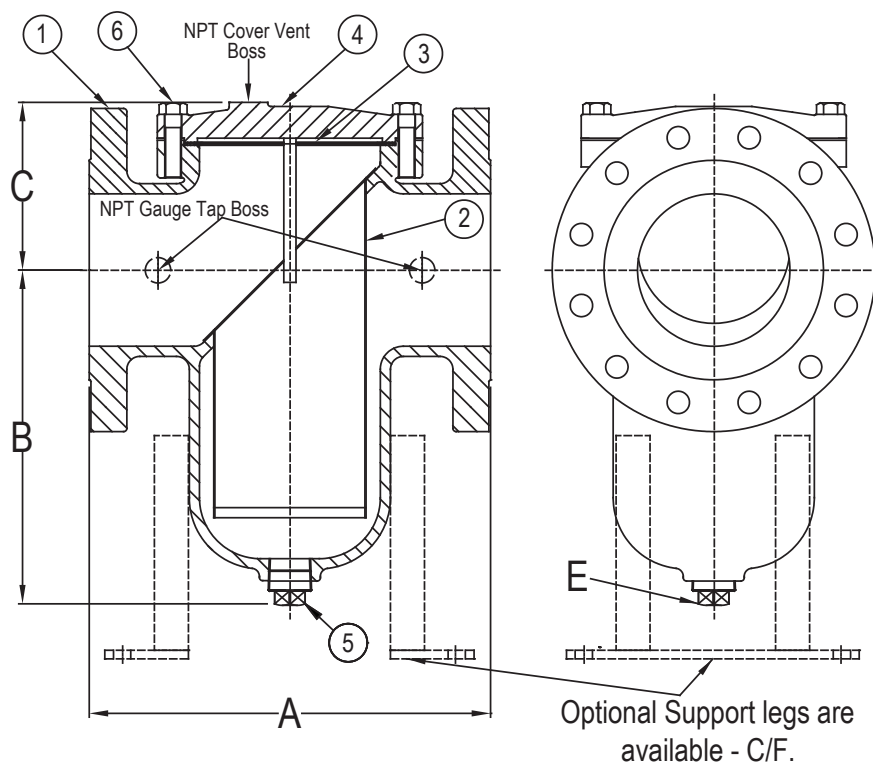


**DRAWING NO.**  
AL 91420C6



**Additional Notes:**

- Optional NPT Cover vent is available - C/F.
- Optional NPT Gauge taps are available - C/F.
- Optional Support legs are available - C/F.
- Steam jacketed designs are available - C/F.
- Epoxy coating is available - C/F.
- Designed for horizontal pipelines only.

BODY PRESSURE & TEMPERATURE RATINGS - NON SHOCK	
NOM. RATING	1-1/2" TO 14"
Class 300	740 PSI @ 100°F
	300 PSI @ 838°F

STANDARD SCREENS SUPPLIED				
SIZE	SCREEN PERFORATION			
	FOR LIQUID	OPEN AREA	FOR STEAM	OPEN AREA
in	in		in	
1-1/2 to 4	1/16	30%	3/64	33%
5 to 12	1/8	43%	1/16	30%

Standard screens supplied are for **liquid service**, unless otherwise specified. Options: Other perforations, meshes, and screen materials are available.

PARTS LIST		
ITEM	DESCRIPTION	MATERIAL
1	BODY	CHROME-MOLY (ASTM A 217, GRADE WC6)
2	BASKET	STAINLESS STEEL (304)
3	GASKET	SPIRAL WOUND STAINLESS STEEL (304) - GRAPHITE FILLED
4	COVER	CHROME-MOLY (ASTM A 217, GRADE WC6)
5	PIPE PLUG	STAINLESS STEEL (316)
6	HEX HEAD CAP SCREW	STAINLESS STEEL (316)

Product Number†	SIZE	DIMENSIONS (in)				COVER		WEIGHT (lbs)
		A	B	C	E	No of Bolts	Size of Bolts	
11/24RFS-C6062P34-GB	1-1/2	7	4	3-3/4	1/2	4	5/8-11 x 1-1/2	24
24RFS-C6062P34-GB	2	8-13/16	4-3/4	3-3/4	1	6	3/4-10 x 1-3/4	32
21/24RFS-C6062P34-GB	2-1/2	9	5-5/8	4-5/8	1	4	3/4-10 x 2	42
34RFS-C6062P34-GB	3	10-1/16	5-11/16	5-5/8	3/4	4	3/4-10 x 2-1/2	56
44RFS-C6062P34-GB	4	12	8-1/4	6-1/16	1	4	1/8 x 2-1/2	88
54RFS-C6125P34-GB	5	13-1/8	10-1/4	5-5/8	1	8	3/4-10 x 2-1/2	126
64RFS-C6125P34-GB	6	15-9/16	12-13/64	6-5/16	1-1/4	8	3/4-10 x 2-1/2	150
84RFS-C6125P34-GB	8	18-7/8	15-9/16	8-3/16	1-1/2	12	3/4-10 x 3-1/8	295
104RFS-C6125P34-GB	10	21-5/16	14-3/8	9-7/8	2	16	3/4-10 x 3	420
124RFS-C6125P34-GB	12	25-3/8	23-3/4	12-3/8	2	16	7/8-9 x 3-1/4	500
144RFS-C6125P34-GB	14	34-5/16	34-3/8	20-3/16	2	20	7/8-9 x 4-1/2	1650

†See "Style SGFV Product Number Configuration" for additional options.

Dimension and weights are for reference only. When required, request certified drawings. Face to face values tolerance in compliance with ASME B16.5.

 3400 CLEVELAND SKOKIE ILLINOIS	<b>DRAWING NO.</b>
	AL 91420C6
<b>DIMENSIONAL ASSEMBLY</b>	<b>PART NO.</b>
1-1/2" to 14" Class 300 RF Flg Style SGFVC6	<b>SCALE:</b> NTS
	<b>DATE:</b> 01/05/2023
<b>MAT'L:</b> (As Noted Above)	<b>DR. BY</b> DSF