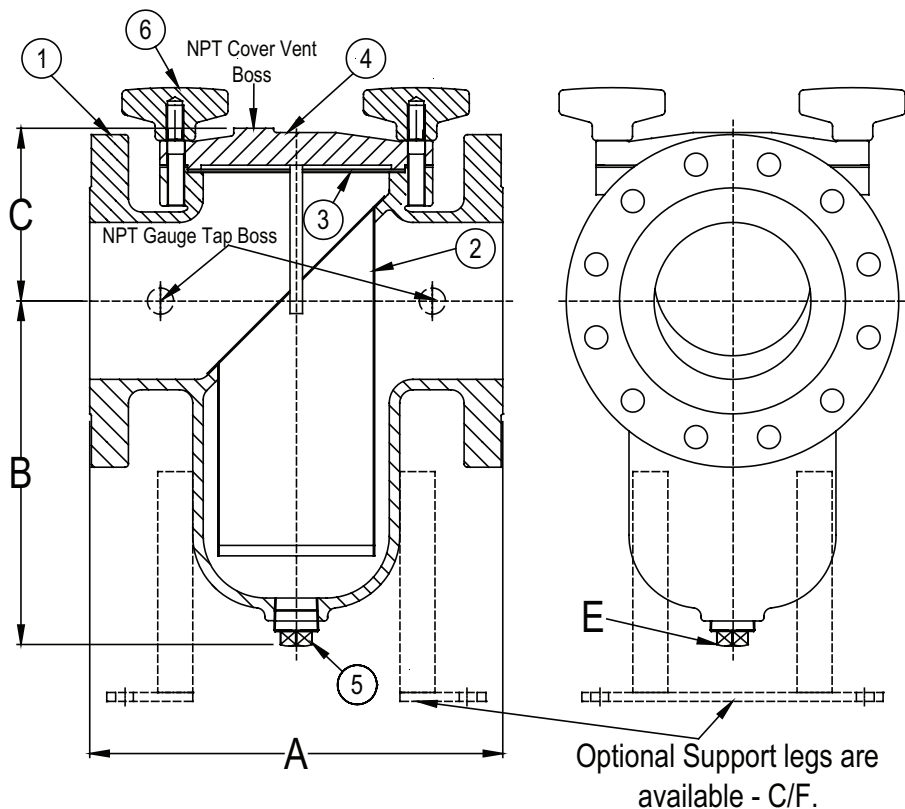


DRAWING NO.
AL 91280



Additional Notes:

- Optional NPT Cover vent is available - C/F.
- Optional NPT Gauge taps are available - C/F.
- Optional Support legs are available - C/F.
- Steam jacketed designs are available - C/F.
- Epoxy coating is available - C/F.
- Designed for horizontal pipelines only.

PARTS LIST		
ITEM	DESCRIPTION	MATERIAL
1	BODY	CARBON STEEL (ASTM A 216, GRADE WCB)
2	BASKET	STAINLESS STEEL (304)
3	GASKET	BUNA-N (MAX TEMPERATURE 200°F)
4	COVER	CARBON STEEL (ASTM A 216, GRADE WCB)
5	PIPE PLUG	CARBON STEEL (ASTM A 105)
6	KNOB	STEEL

Product Number†	SIZE	DIMENSIONS (in)				COVER		WEIGHT (lbs)
		A	B	C	E	No of Knobs	Size of Studs	
11/22RFS-CS062P34-BK	1-1/2	6-1/2	4-1/2	4	1/2	4	5/8-11 x 2	22
22RFS-CS062P34-BK	2	8-1/2	5-7/8	4-3/4	1/2	6	1/2-13 x 2	30
21/22RFS-CS062P34-BK	2-1/2	8	5-7/16	4-1/4	3/4	4	5/8-11 x 2	35
32RFS-CS062P34-BK	3	8-3/4	5-11/16	5-5/8	3/4	6	1/2-13 x 2-1/2	39
42RFS-CS062P34-BK	4	11-3/16	8-1/4	6-1/16	1	6	1/2-13 x 2-1/2	69
52RFS-CS125P34-BK	5	12-1/4	10-1/4	5-5/8	1	8	5/8-11 x 2-1/2	110
62RFS-CS125P34-BK	6	13-7/8	12-13/64	6-5/16	1-1/4	8	5/8-11 x 2-1/2	125
82RFS-CS125P34-BK	8	17-3/8	15-9/16	8-3/16	1-1/2	8	5/8-11 x 3	270
102RFS-CS125P34-BK	10	22	16	10-3/8	1-1/2	12	5/8-11 x 4	360
122RFS-CS125P34-BK	12	25	23-3/4	12-3/8	2	16	5/8-11 x 4	450

†See "Style SGFVK Product Number Configuration" for additional options.

Dimension and weights are for reference only. When required, request certified drawings.

Face to face values tolerance in compliance with ASME B16.5.

BODY PRESSURE & TEMPERATURE RATINGS - NON SHOCK	
NOM. RATING	1-1/2" TO 12"
Class 150	200 PSI @ 100°F

STANDARD SCREENS SUPPLIED				
SIZE	SCREEN PERFORATION			
	FOR LIQUID	OPEN AREA	FOR STEAM	OPEN AREA
in	in		in	
1-1/2 to 4	1/16	30%	3/64	33%
5 to 12	1/8	43%	1/16	30%

Standard screens supplied are for liquid service, unless otherwise specified. Options: Other perforations, meshes, and screen materials are available.

 3400 CLEVELAND SKOKIE ILLINOIS	DRAWING NO.
	AL 91280
DIMENSIONAL ASSEMBLY 1-1/2" to 12" Class 150 RF Flg Style SGFVK	PART NO.
MAT'L: (As Noted Above)	SCALE: NTS
REQ. ---	DATE: 01/05/2023
DR. BY DSF	