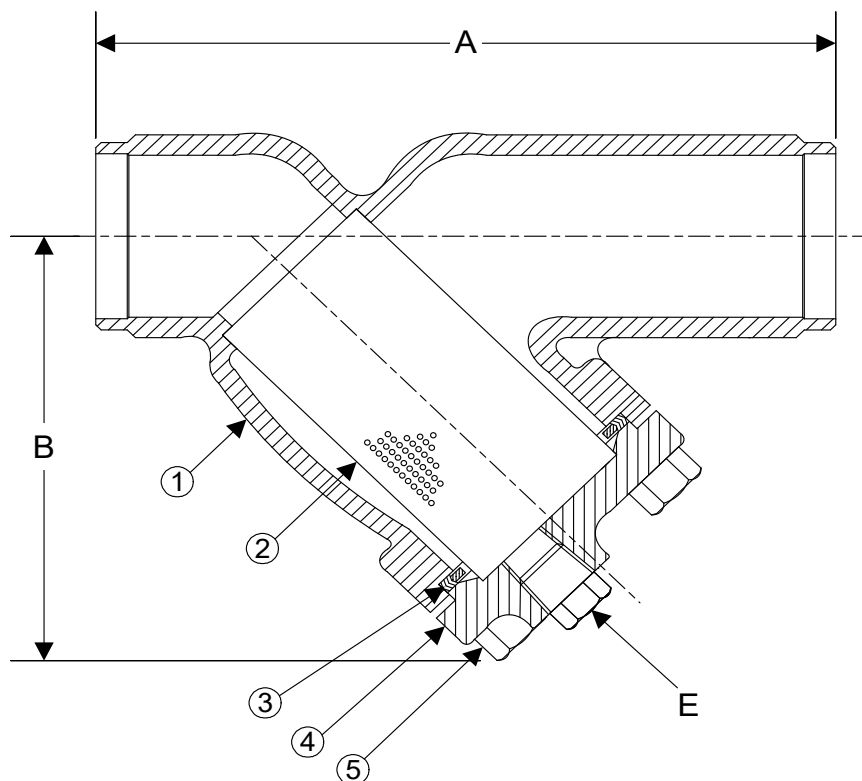


DRAWING NO.
AL 90300ML



PARTS LIST		
ITEM	DESCRIPTION	MATERIAL
1	BODY	MONEL (ASTM A 494, GRADE M35-2)
2	SCEEN	STAINLESS STEEL (304)
3	GASKET	SPIRAL WOUND STAINLESS STEEL (304) - GRAPHITE FILLER
4	COVER	MONEL (ASTM A 494, GRADE M35-2)
5	HEX HEAD CAP SCREWS	STAINLESS STEEL (ASTM A 193, GRADE B8)

Optional: Blow-off plug, Stainless Steel (304)

Product Number†	SIZE	DIMENSIONS (in)			COVER		WEIGHT (lbs)
		A	B	E	No of Bolts	Size of Bolts	
1/22B4Y-ML062P34-GB	1/2	6-1/2	3-3/4	3/8	4	3/8-16 x 1-1/2	7
3/42B4Y-ML062P34-GB	3/4	7-3/8	4-1/4	1/2	4	3/8-16 x 1-1/2	11
12B4Y-ML062P34-GB	1	7-3/8	4-1/4	1/2	4	3/8-16 x 1-1/2	11
11/42B4Y-ML062P34-GB	1-1/4	7	5-1/8	1/2	4	3/8-16 x 1-1/2	12
11/22B4Y-ML062P34-GB	1-1/2	7-1/8	5-1/8	1/2	4	3/8-16 x 1-1/2	14
22B4Y-ML062P34-GB	2	7-7/8	6	1/2	4	1/2-13 x 1-3/4	22
21/22B4Y-ML062P34-GB	2-1/2	9-3/4	7	1	4	1/2-13 x 1-3/4	32
32B4Y-ML062P34-GB	3	10-1/16	7-7/16	1	4	1/2-13 x 1-3/4	41
42B4Y-ML062P34-GB	4	12-1/8	8-15/16	1-1/2	4	1/2-13 x 1-3/4	63
52B4Y-ML125P34-GB	5	15-1/2	13-1/32	2	8	5/8-11 x -2-1/4	111
62B4Y-ML125P34-GB	6	18-1/2	13-1/4	2	8	5/8-11 x -2-1/4	136
82B4Y-ML125P34-GB	8	21-3/8	15-1/2	2	12	5/8-11 x -2-1/4	212
102B4Y-ML125P34-GB	10	26	18-7/16	2	12	5/8-11 x -2-1/4	280
122B4Y-ML125P34-GB	12	29-7/8	21-5/8	2	16	5/8-11 x -2-1/4	460

†See "Style SSA7 Product Number Configuration" for additional options.

Dimension and weights are for reference only. When required, request certified drawings. Face to face values tolerance in compliance with ASME B16.10.

BODY PRESSURE & TEMPERATURE RATINGS - NON SHOCK

NOM. RATING	1/2" TO 12"
Class 150	275 PSI @ 100°F
	150 PSI @ 565°F

STANDARD SCREENS SUPPLIED

SIZE	SCREEN PERFORATION			
	FOR LIQUID	OPEN AREA	FOR STEAM	OPEN AREA
in	in		in	
1/2 to 4	1/16	30%	3/64	33%
5 to 10	1/8	43%	3/64	33%
12	1/8	43%	1/16	30%

Standard screens supplied are for liquid service, unless otherwise specified. Options: Other perforations, meshes, and screen materials are available.



3400 CLEVELAND SKOKIE ILLINOIS

DRAWING NO.
AL 90300ML

DIMENSIONAL ASSEMBLY

PART NO.

1/2" to 12" Class 150 Sch 40 Butt Weld

SCALE: NTS

Style SSA7ML

DATE: 12/05/2022

MAT'L: (As Noted Above)

REQ. ---

DR. BY DSF