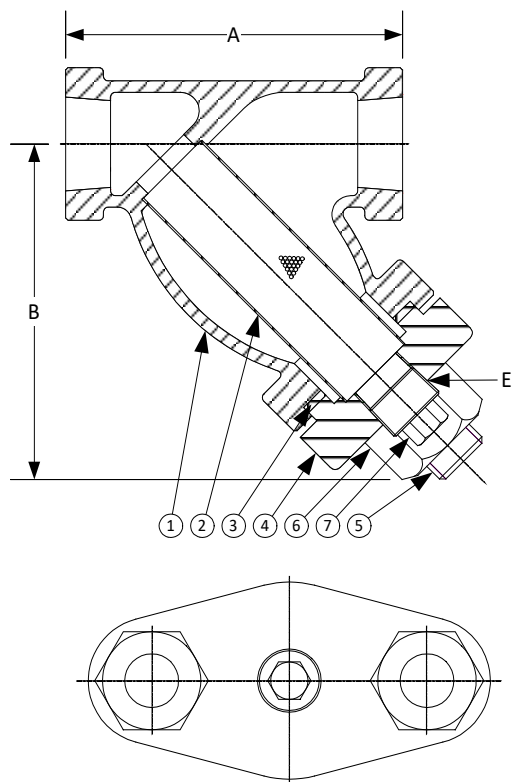


DRAWING NO.
AL XXXXX



PARTS LIST		
ITEM	DESCRIPTION	MATERIAL
1	BODY	MONEL (ASTM A 494, GRADE M35-2)
2	SCREEN	STAINLESS STEEL (304)
3	GASKET	SPIRAL WOUND STAINLESS STEEL - GRAPHITE FILLER
4	CAP	MONEL (ASTM A 494, GRADE M35-2)
5	STUD	STAINLESS STEEL (ASTM A 193, GRADE B8)
6	NUT	STAINLESS STEEL (ASTM A 194, GRADE 8)
7	PLIG	STAINLESS STEEL (ASTM A 182, GRADE F304)

Product Number†	SIZE	DIMENSIONS (in)			COVER		WEIGHT (lbs)
		A	B	E	No of Bolts	Size of Bolts	
1/45THY-ML062P34-GB	1/4	3	2-1/2	1/4	2	3/8-16 x 1-1/2	3
3/85THY-ML062P34-GB	3/8	3	2-1/2	1/4	2	3/8-16 x 1-1/2	3
1/25THY-ML062P34-GB	1/2	3-7/8	3-1/4	1/4	2	3/8-16 x 1-1/2	4
3/45THY-ML062P34-GB	3/4	4-1/4	4-1/4	3/8	2	1/2-13 x 2-1/4	5
15THY-ML062P34-GB	1	4-15/16	4-5/8	1/2	2	5/8-11 x 2-5/8	7
11/45THY-ML062P34-GB	1-1/4	5-5/8	5-1/2	3/4	2	5/8-11 x 2-3/4	11
11/25THY-ML062P34-GB	1-1/2	6-1/4	6-1/4	3/4	2	7/8-9 x 3-1/8	16
25THY-ML062P34-GB	2	7-1/2	7-1/4	1	2	1-8 x 3-1/2	22
21/25THY-ML062P34-GB	2-1/2	12	9-3/8	1-1/4	2	1-1/8-7 x 4-1/8	43
35THY-ML062P34-GB	3	12	9-3/8	1-1/4	2	1-1/8-7 x 4-1/8	43

†See "Style SSB7BC Product Number Configuration" for additional options.

Dimension and weights are for reference only. When required, request certified drawings.

Face to face values tolerance in compliance with ASME B16.34.

BODY PRESSURE & TEMPERATURE RATINGS - NON SHOCK

NOM. RATING	1/4" TO 3"
Class 600	1440 PSI @ 100F
	600 PSI @ 1125F

STANDARD SCREENS SUPPLIED

SIZE	SCREEN PERFORATION			
	FOR LIQUID	OPEN AREA	FOR STEAM	OPEN AREA
in	in		in	
1/4 to 3	1/16	30%	3/64	33%

Standard screens supplied are for liquid service, unless otherwise specified.

Options: Other perforations, meshes, and screen materials are available.



3400 CLEVELAND

SKOKIE ILLINOIS

DRAWING NO.

AL XXXXX

DIMENSIONAL ASSEMBLY

PART NO.

1/4" to 3" Class 600 NPT Style SSB7BCML

SCALE: NTS

DATE: 12/05/2022

MAT'L: (As Noted Above)

REQ. ---

DR. BY DSF