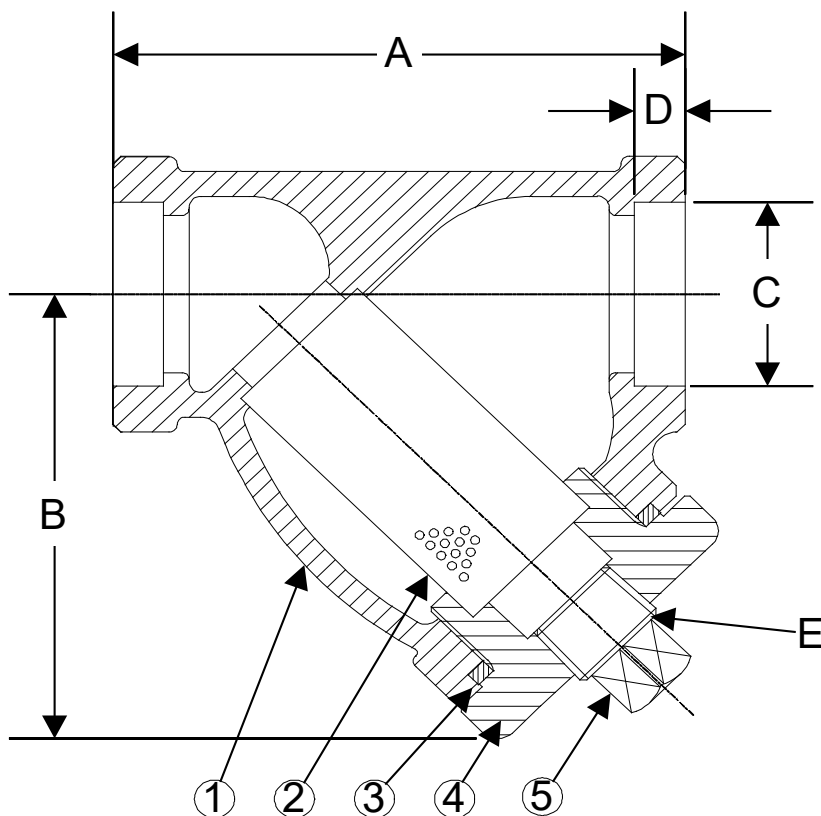


DRAWING NO.
AL 77017ML



| PARTS LIST | | |
|------------|-------------|--|
| ITEM | DESCRIPTION | MATERIAL |
| 1 | BODY | MONEL (ASTM A 494, GRADE M35-2) |
| 2 | SCREEN | STAINLESS STEEL (304) |
| 3 | GASKET | SPIRAL WOUND STAINLESS STEEL - GRAPHITE FILLER |
| 4 | CAP | MONEL (ASTM A 494, GRADE M35-2) |

Optional: Blow-off Plug, Stainless Steel (304)

| Product Number [†] | SIZE | DIMENSIONS (in) | | | | | WEIGHT (lbs) |
|-----------------------------|-------|-----------------|---------|-------|-----|-------|--------------|
| | | A | B | C | D | E | |
| 1/45SWY-ML062P34-GT | 1/4 | 2-15/16 | 2-7/16 | 0.555 | 3/8 | 1/4 | 3 |
| 3/85SWY-ML062P34-GT | 3/8 | 2-15/16 | 2-7/16 | 0.690 | 3/8 | 1/4 | 3 |
| 1/25SWY-ML062P34-GT | 1/2 | 2-15/16 | 2-7/16 | 0.855 | 3/8 | 1/4 | 3 |
| 3/45SWY-ML062P34-GT | 3/4 | 3-11/16 | 3 | 1.065 | 1/2 | 3/8 | 5 |
| 15SWY-ML062P34-GT | 1 | 4-9/16 | 4-5/16 | 1.330 | 1/2 | 3/8 | 6 |
| 11/45SWY-ML062P34-GT | 1-1/4 | 4-15/16 | 4-3/16 | 1.675 | 1/2 | 3/4 | 8 |
| 11/25SWY-ML062P34-GT | 1-1/2 | 5-9/16 | 4-11/16 | 1.915 | 1/2 | 3/4 | 10 |
| 25SWY-ML062P34-GT | 2 | 6-15/16 | 6-1/4 | 2.406 | 5/8 | 1 | 16 |
| 21/25SWY-ML062P34-GT | 2-1/2 | 12 | 9-3/8 | 2.906 | 5/8 | 1-1/4 | 43 |
| 35SWY-ML062P34-GT | 3 | 12 | 9-3/8 | 3.535 | 5/8 | 1-1/4 | 43 |

[†]See "Style SSB7 Product Number Configuration" for additional options.

Dimension and weights are for reference only. When required, request certified drawings.

Face to face values tolerance in compliance with ASME B16.11.

BODY PRESSURE & TEMPERATURE RATINGS - NON SHOCK

| NOM. RATING | 1/4" TO 3" |
|-------------|-----------------|
| Class 600 | 1440 PSI @ 100F |
| | 600 PSI @ 1125F |

STANDARD SCREENS SUPPLIED

| SIZE | SCREEN PERFORATION | | | |
|----------|--------------------|-----------|-----------|-----------|
| | FOR LIQUID | OPEN AREA | FOR STEAM | OPEN AREA |
| in | in | | in | |
| 1/4 to 3 | 1/16 | 30% | 3/64 | 33% |

Standard screens supplied are for **liquid service**, unless otherwise specified.

Options: Other perforations, meshes, and screen materials are available.



3400 CLEVELAND

SKOKIE ILLINOIS

DRAWING NO.

AL 77017ML

DIMENSIONAL ASSEMBLY

PART NO.

1/4" to 3" Class 600 Socket Weld Style SSB7ML

SCALE: NTS

DATE: 12/05/2022

MAT'L: (As Noted Above)

REQ. ---

DR. BY DSF