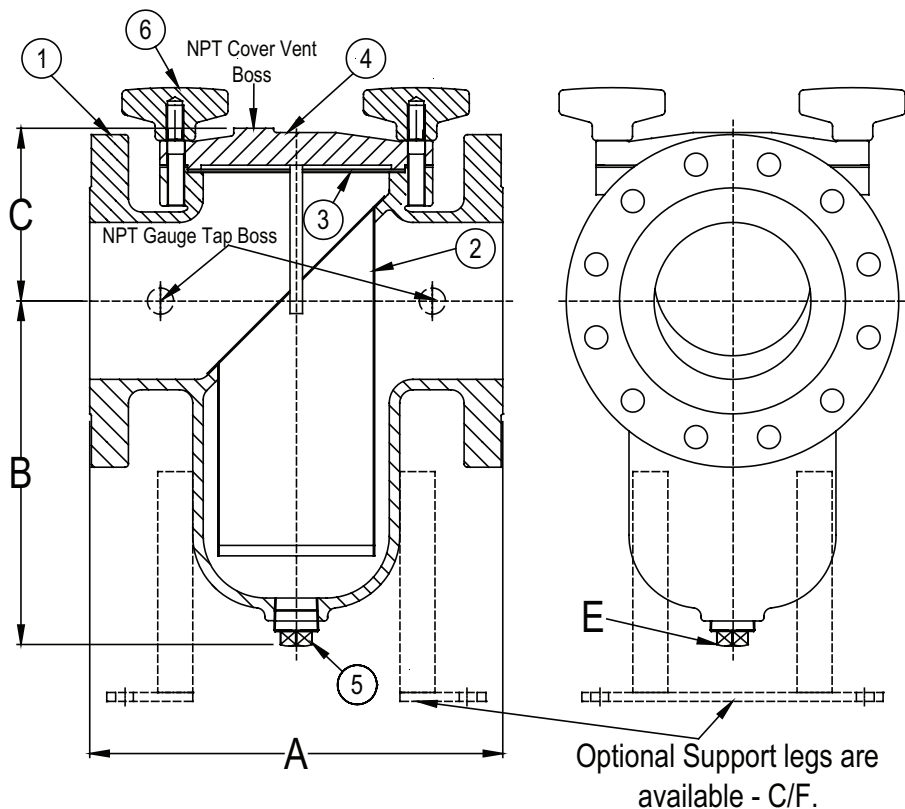


**DRAWING NO.**  
AL 91440



PARTS LIST		
ITEM	DESCRIPTION	MATERIAL
1	BODY	STAINLESS STEEL (ASTM A 351, GRADE CF8M)
2	BASKET	STAINLESS STEEL (304)
3	GASKET	VITON (MAX TEMPERATURE 400°F)
4	COVER	STAINLESS STEEL (ASTM A 351, GRADE CF8M)
5	PIPE PLUG	STAINLESS STEEL (316)
6	KNOB	CAST ALUMINUM

Product Number <sup>†</sup>	SIZE	DIMENSIONS (in)				COVER		WEIGHT (lbs)
		A	B	C	E	No of Knobs	Size of Studs	
11/22RFS-36062P34-VK	1-1/2	6-1/2	4-1/2	4	1/2	4	5/8-11 x 2	22
22RFS-36062P34-VK	2	8-1/2	5-7/8	4-3/4	1/2	6	1/2-13 x 2	30
21/22RFS-36062P34-VK	2-1/2	8	5-7/16	4-1/4	3/4	4	5/8-11 x 2	35
32RFS-36062P34-VK	3	8-3/4	5-11/16	5-5/8	3/4	6	1/2-13 x 2-1/2	39
42RFS-36062P34-VK	4	11-3/16	8-1/4	6-1/16	1	6	1/2-13 x 2-1/2	69
52RFS-36125P34-VK	5	12-1/4	10-1/4	5-5/8	1	8	5/8-11 x 2-1/2	110
62RFS-36125P34-VK	6	13-7/8	12-13/64	6-5/16	1-1/4	8	5/8-11 x 2-1/2	125
82RFS-36125P34-VK	8	17-3/8	15-9/16	8-3/16	1-1/2	8	5/8-11 x 3	270
102RFS-36125P34-VK	10	22	16	10-3/8	1-1/2	12	5/8-11 x 4	360
122RFS-36125P34-VK	12	25	23-3/4	12-3/8	2	16	5/8-11 x 4	450

<sup>†</sup>See "Style SSGFVK Product Number Configuration" for additional options.  
Dimension and weights are for reference only. When required, request certified drawings.  
Face to face values tolerance in compliance with ASME B16.5.

**Additional Notes:**

- Optional NPT Cover vent is available - C/F.
- Optional NPT Gauge taps are available - C/F.
- Optional Support legs are available - C/F.
- Steam jacketed designs are available - C/F.
- Epoxy coating is available - C/F.
- Designed for horizontal pipelines only.

BODY PRESSURE & TEMPERATURE RATINGS - NON SHOCK	
<b>NOM. RATING</b>	<b>1-1/2" TO 12"</b>
Class 150	200 PSI @ 375°F

STANDARD SCREENS SUPPLIED				
SIZE	SCREEN PERFORATION			
	FOR LIQUID	OPEN AREA	FOR STEAM	OPEN AREA
in	in		in	
1-1/2 to 4	1/16	30%	3/64	33%
5 to 12	1/8	43%	1/16	30%

Standard screens supplied are for liquid service, unless otherwise specified.  
Options: Other perforations, meshes, and screen materials are available.

 3400 CLEVELAND SKOKIE ILLINOIS	<b>DRAWING NO.</b>
	AL 91440
<b>DIMENSIONAL ASSEMBLY</b> 1-1/2" to 12" Class 150 RF Flg Style SSGFVK	<b>PART NO.</b>
<b>MAT'L:</b> (As Noted Above)	<b>SCALE:</b> NTS
<b>REQ. ---</b>	<b>DATE:</b> 07/18/2023
<b>DR. BY</b> DSF	