

Style SA

Y-Strainer

Carbon Steel (ASTM A 216, Grade WCB)

600 lb. Flanged



Cast Carbon Steel Y-Strainer

APPLICATIONS

Steam, water, oil or gas where protection from foreign matter in a pipeline is required.

CONSTRUCTION

The Keckley Style SA strainers are constructed from rugged carbon steel castings and are machined to exacting specifications. These bodies have drilled flanges that are in accordance with ASME B16.5. All flanges come standard with back-faced bolt holes.

FEATURES

The Keckley Style SA strainer features a machined groove in both the body and cover for proper screen alignment and to ensure accurate reseating when servicing is required. The gasket is 304 stainless steel spiral wound and is compressed between the body and cover (for maximum strength and durability) and designed for high pressure and high temperature service. All Keckley Style SA strainers have cap screws and can be furnished with a steel blow-off plug upon request.

Blind covers are available upon request.

SCREENS

Standard perforated 304 stainless steel screens are spot welded along the seam for maximum strength. Different size perforations and meshes are available in stainless steel, monel, and brass to meet specific media requirements. If media is not indicated, screens for *liquid* will be supplied.

SELF CLEANING

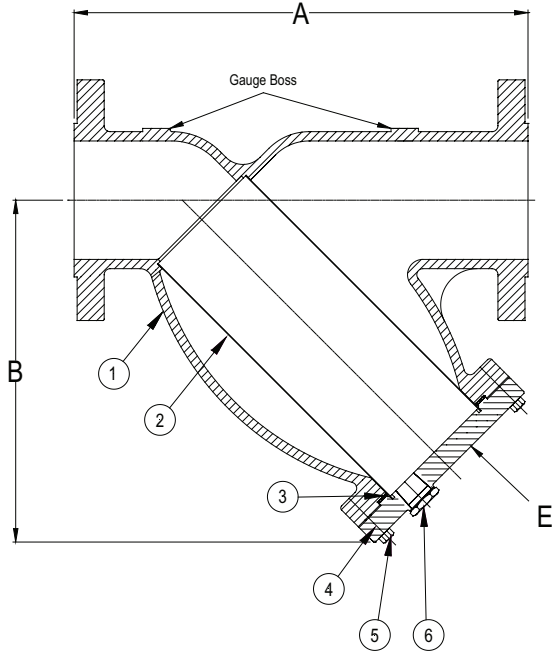
Self cleaning is accomplished by opening the valve or drain plug connected to the blow-off port. **Warning:** See Maintenance Instructions on page S6 of the Strainer Information Section for additional precautions and detailed information on servicing the strainer.

WORKING PRESSURES - NON SHOCK

NOM. RATING	MEDIA	1/2" to 12"	15 mm to 300 mm
600# R.F. & D. (FLANGE)	STEAM	600 PSI @ 838°F	4138 KPa @ 448°C
	W.O.G.	1480 PSI @ 100°F	10208 KPa @ 38°C

Style SA

Y-Strainer, 600 lb. Flanged
Carbon Steel (ASTM A 216, Grade WCB)



PARTS LIST

ITEM	DESCRIPTION	MATERIAL
1	Body	Carbon Steel (ASTM A 216, Grade WCB)
2	Screen	Stainless Steel (304)
3	Gasket	Spiral Wound Stainless Steel (304)
4	Cover	Carbon Steel (ASTM A 216, Grade WCB)
5	Hex Head Cap Screw	Carbon Steel (ASTM A 193, Grade B7)

Optional: Blow-off Plug, Carbon Steel (ASTM A 105).
*Optional Body Materials Available in LCB, WC6, and WC9.

STANDARD SCREENS SUPPLIED

SIZE		SCREEN PERFORATION					
		FOR LIQUID		OPEN AREA	FOR STEAM		OPEN AREA
in	mm	in	mm		in	mm	
2 to 4	50 to 100	1/16	1.6	30%	3/64	1.2	33%
5 to 10	125 to 250	1/8	3.2	43%	3/64	1.2	33%
12	300	1/8	3.2	43%	1/16	1.6	30%

Standard screens supplied are for **liquid service**, unless otherwise specified.
Options: Other perforations, meshes, and screen materials are available.

SIZE		DIMENSIONS						WEIGHTS	
		A		B		E			
in	mm	in	mm	in	mm	in	mm	lbs	kgs
1/2	15	6-5/8	168	3-1/2	89	3/8	10	15	6.80
3/4	20	8-3/8	213	3-3/4	95	1/2	15	20	9.07
1	25	8-3/8	213	3-3/4	95	1/2	15	20	9.07
1-1/4	32	10-1/8	257	5-1/2	140	1/2	15	27	12.25
1-1/2	40	10-1/4	360	5-1/2	140	1/2	15	27	12.25
2	50	11	279	7	178	1/2	15	31	13.83
2-1/2	65	12	305	8-1/4	210	1	25	49	21.92
3	80	13-1/2	343	9-1/4	235	1	25	63	28.17
4	100	18	457	12-1/2	318	1-1/2	40	127	57.53
6	150	25-5/8	651	20	508	2	50	339	153.51
8	200	31-3/4	806	24	610	2	50	748	338.84
10	250	37-3/4	959	28-1/2	724	2	50	1213	550.00
12	300	45-1/2	1156	34-1/2	876	2	50	1511	685.00

†This table reflects only the nearest metric equivalents.
Dimensions and weights are for reference only. When required, request certified drawings.
Face to face values have a tolerance in compliance with ASME B16.5.

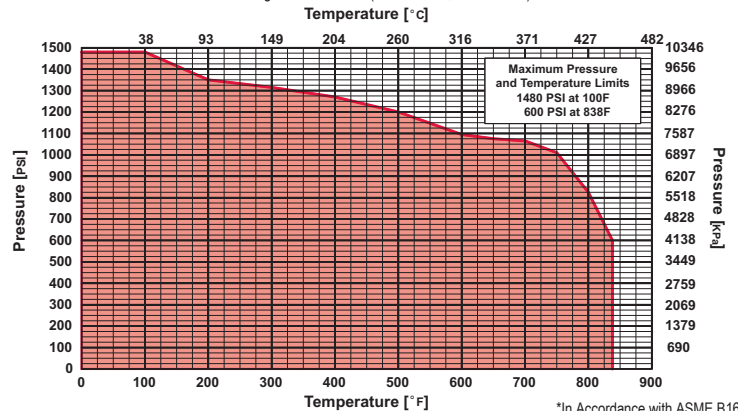
TOTAL SCREEN AREA

Size	(in ²)	Size	(in ²)	Size	(in ²)	Size	(in ²)
1/2"	--	1-1/2"	--	4"	151.49	12"	1313.88
3/4"	--	2"	44.17	6"	416.73		
1"	--	2-1/2"	64.14	8"	630.23		
1-1/4"	--	3"	77.63	10"	894.52		

*See DETERMINING RATIOS on page S5 of the Strainer Information Section for calculating NET FREE AREA of the screen to inside pipe area.

PRESSURE vs. TEMPERATURE CHART

600# Flanged Carbon Steel (ASTM A 216, Grade WCB)



*In Accordance with ASME B16.5



PRESSURE DROP CHART

Flanged "Y" Pattern Strainers (Styles A, BA, BA7, SA, SA7, SSA and SSA7)

This pressure drop chart is based on the flow of clean water through the Keckley "Y" strainers listed above with screen perforations ranging from 3/64" through 1/8".

TO USE CHARTS:

Find your desired rate of flow (GPM) on the left hand side of the chart. Follow its corresponding horizontal line to the point where it intersects the diagonal line indicating the strainer pipe size. From this point of intersection, follow the vertical line down to the bottom of the chart to determine the approximate pressure drop.

CORRECTION FACTORS:

For finer mesh screens that are backed with a perforated sheet, multiply the pressure drops shown at right by the following:

- 40 mesh x 1.2
- 60 mesh x 1.4
- 80 mesh x 1.6
- 100 mesh x 1.7

