

Style SSA

Y-Strainer

Stainless Steel (ASTM A 351, Grade CF8M)

600 lb. Flanged



Cast 316 Stainless Steel Y-Strainer

APPLICATIONS

Steam, water, oil or gas where protection from foreign matter in a pipeline is required.

CONSTRUCTION

The Keckley Style SSA strainers are constructed from rugged 316 stainless steel castings and are machined to exacting specifications. These bodies have drilled flanges that are in accordance with ASME B16.5. All flanges come standard with back-faced bolt holes.

FEATURES

The Keckley Style SSA strainer features a machined groove in both the body and cover for proper screen alignment and to ensure accurate reseating when servicing is required. The gasket is 304 stainless steel spiral wound and is compressed between the body and cover (for maximum strength and durability) and designed for high pressure and high temperature service. All Keckley Style SSA strainers have cap screws and can be furnished with a stainless steel blow-off plug upon request.

Blind covers are available upon request.

SCREENS

Standard perforated 304 stainless steel screens are spot welded along the seam for maximum strength. Different size perforations and meshes are available in stainless steel, monel, and brass to meet specific media requirements. If media is not indicated, screens for *steam* will be supplied.

SELF CLEANING

Self cleaning is accomplished by opening the valve or drain plug connected to the blow-off port. **Warning:** See Maintenance Instructions on page S6 of the Strainer Information Section for additional precautions and detailed information on servicing the strainer.

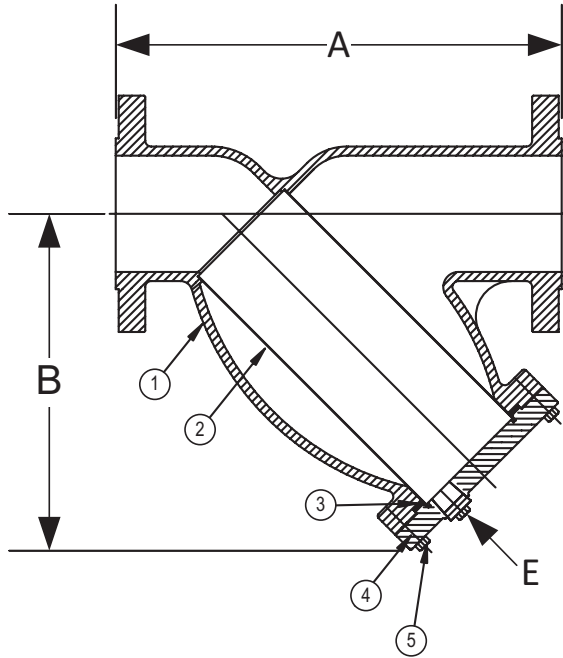
WORKING PRESSURES - NON SHOCK

NOM. RATING	MEDIA	1/2" to 12"	15 mm to 300 mm
600# R.F. & D. (FLANGE)	STEAM	600 PSI @ 1125°F	4138 KPa @ 607°C
	W.O.G.	1440 PSI @ 100°F	9932 KPa @ 38°C

Style SSA

Y-Strainer, 600 lb. Flanged

Stainless Steel (ASTM A 351, Grade CF8M)



PARTS LIST

ITEM	DESCRIPTION	MATERIAL
1	Body	Stainless Steel (ASTM A 351, Grade CF8M)
2	Screen	Stainless Steel (304)
3	Gasket	Spiral Wound Stainless Steel (304)
4	Cover	Stainless Steel (ASTM A 351, Grade CF8M)
5	Hex Head Cap Screw	Stainless Steel (ASTM A 193, Grade B8)

Optional: Blow-off Plug, Stainless Steel (304).

*Optional Body Materials Available in 304 and 400 SS, Alloy 20, Hastelloy, Inconel, Monel and Stellite.

STANDARD SCREENS SUPPLIED

SIZE		SCREEN GAGE	SCREEN PERFORATION					
in	mm		FOR STEAM		OPEN AREA	FOR LIQUID		OPEN AREA
			in	mm	%	in	mm	%
2 to 4	50 to 100	28	3/64	1.2	33%	1/16	1.6	30%
5 to 10	125 to 250	22	3/64	1.2	33%	1/8	3.2	43%
12	300	22	1/16	1.6	30%	1/8	3.2	43%

Standard screens supplied are for **steam service**, unless otherwise specified.

Options: Other perforations, meshes, and screen materials are available.

SIZE		DIMENSIONS						WEIGHTS	
		A		B		E			
in	mm	in	mm	in	mm	in	mm	lbs	kgs
1/2	15	6-5/8	168	3-1/2	89	3/8	10	15	6.80
3/4	20	8-3/8	213	3-3/4	95	1/2	15	20	9.07
1	25	8-3/8	213	3-3/4	95	1/2	15	20	9.07
1-1/4	32	10-1/8	257	5-1/2	140	1/2	15	27	12.25
1-1/2	40	10-1/4	360	5-1/2	140	1/2	15	27	12.25
2	50	11	279	7	178	1/2	15	31	13.83
2-1/2	65	12	305	8-1/4	210	1	25	49	21.92
3	80	13-1/2	343	9-1/4	235	1	25	63	28.17
4	100	18	457	12-1/2	318	1-1/2	40	127	57.53
6	150	25-5/8	651	20	508	2	50	339	153.51
8	200	31-3/4	806	24	610	2	50	748	338.84
10	250	37-3/4	959	28-1/2	724	2	50	1213	550.00
12	300	45-1/2	1156	34-1/2	876	2	50	1511	685.00

Larger sizes available upon request.

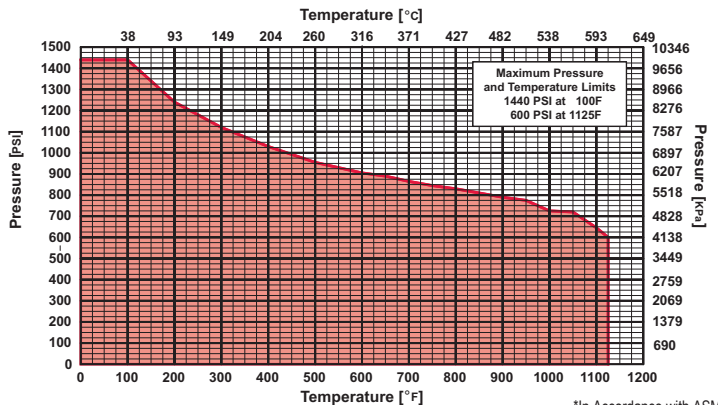
†This table reflects only the nearest metric equivalents.

TOTAL SCREEN AREA					
Size	(in ²)	Size	(in ²)	Size	(in ²)
1/2"	--	1-1/2"	--	4"	151.49
3/4"	--	2"	44.17	6"	416.73
1"	--	2-1/2"	64.14	8"	630.23
1-1/4"	--	3"	77.63	10"	894.52

*See DETERMINING RATIOS on page S5 of the Strainer Information Section for calculating NET FREE AREA of the screen to inside pipe area.

PRESSURE vs. TEMPERATURE CHART

600# Flanged Stainless Steel (ASTM A 351, Grade CF8M)



*In Accordance with ASME B16.5

PRESSURE DROP CHART

Flanged "Y" Pattern Strainers (Styles A, BA, BA-7, SA, SA-7, SSA and SSA-7)

This pressure drop chart is based on the flow of clean water through the Keckley "Y" strainers listed above with screen perforations ranging from 3/64" through 1/8".

TO USE CHARTS:

Find your desired rate of flow (GPM) on the left hand side of the chart. Follow its corresponding horizontal line to the point where it intersects the diagonal line indicating the strainer pipe size. From this point of intersection, follow the vertical line down to the bottom of the chart to determine the approximate pressure drop.

CORRECTION FACTORS:

For finer mesh screens that are backed with a perforated sheet, multiply the pressure drops shown at right by the following:

40 mesh	x 1.2
60 mesh	x 1.4
80 mesh	x 1.6
100 mesh	x 1.7

