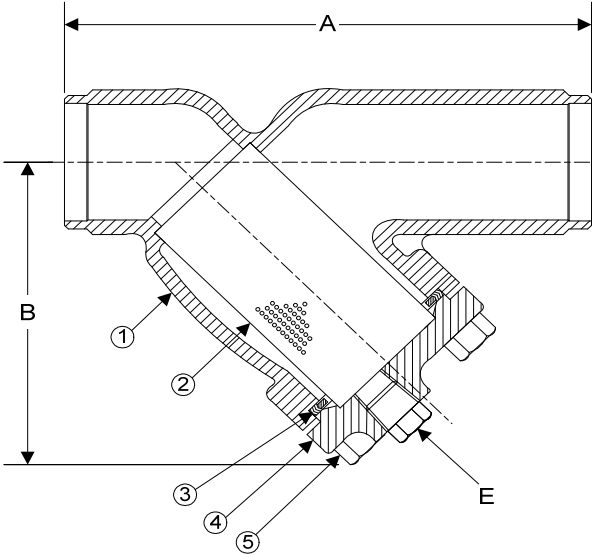


# Style SSA-7A2

Y-Strainer, 150 lb. & 300 lb. Butt Weld  
Cast Alloy 20 (ASTM A 351, Grade CN7M)



PARTS LIST		
ITEM	DESCRIPTION	MATERIAL
1	BODY	CAST ALLOY 20 (ASTM A 351, GRADE CN7M)
2	SCREEN	STAINLESS STEEL (304)
3	GASKET	SPIRAL WOUND STAINLESS STEEL (304)
4	COVER	CAST ALLOY 20 (ASTM A 351, GRADE CN7M)
5	HEX HEAD CAP SCREW	STAINLESS STEEL (ASTM A 193, GRADE B8)

Optional: Blow-off Plug, Stainless Steel (304)

\*Optional Body Materials Available in 304 and 400 Series SS, Hastelloy C276, Inconel, Monel and Stellite.

### STANDARD SCREENS SUPPLIED

SIZE		SCREEN GAGE	SCREEN PERFORATION					
in	mm		FOR STEAM		FOR LIQUID		OPEN AREA	
			in	mm	AREA	in		mm
1/2 to 4	15 to 100	28	3/64	1.2	33%	1/16	1.6	30%
5 to 10	50 to 250	22	3/64	1.2	33%	1/8	3.2	43%
12	300	22	1/16	1.6	30%	1/8	3.2	43%

Standard screens supplied are for **steam service**, unless otherwise specified.

Options: Other perforations, meshes, and screen materials are available.

SIZE		DIMENSIONS										WEIGHTS			
		A				B				E		150#		300#	
		150#		300#		150#		300#		150# & 300#		lbs	kgs	lbs	kgs
in	mm	in	mm	in	mm	in	mm	in	mm	in	mm				
1/2	15	6-1/2	165	6-1/8	156	3-3/4	95	3-3/4	95	3/8	10	7	3	6	3
3/4	20	7-3/8	187	7-3/4	197	4-1/4	108	4-1/4	108	1/2	15	11	5	13	6
1	25	7-3/8	187	7-7/8	200	4-1/4	108	4-1/4	108	1/2	15	11	5	13	6
1-1/4	32	7	178	8-1/8	206	5-1/8	130	5-1/8	130	1/2	15	12	5	19	9
1-1/2	40	7-1/8	181	8-1/4	210	5-1/8	130	5-1/8	130	1/2	15	14	6	19	9
2	50	7-7/8	200	9-1/2	241	6	152	6	152	1/2	15	22	10	33	15
2-1/2	65	9-3/4	248	10-3/8	264	7	178	7	178	1	25	32	15	44	20
3	80	10-1/16	256	12	305	7-7/16	189	7-5/16	186	1	25	41	19	58	26
4	100	12-1/8	308	14-1/2	368	8-15/16	227	8-15/16	227	1-1/2	40	63	29	91	41
5	125	15-1/2	394	19-5/16	491	13-1/32	331	13-1/32	331	2	50	111	51	180	82
6	150	18-1/2	470	19-5/16	491	13-1/4	337	13-1/4	337	2	50	136	62	180	82
8	200	21-3/8	543	23-3/8	594	15-1/2	394	15-1/2	394	2	50	212	96	304	138
10	250	26	660	27-3/8	695	18-7/16	468	18-7/16	468	2	50	280	127	470	213
12	300	29-7/8	759	32	813	21-5/8	549	21-5/8	549	2	50	460	209	709	322

Larger sizes available upon request.

Certified dimensional drawings are available upon request.

†This table reflects only the nearest metric equivalents.

### TOTAL SCREEN AREA (150 LB.)

Size	(in <sup>2</sup> )	Size	(in <sup>2</sup> )	Size	(in <sup>2</sup> )	Size	(in <sup>2</sup> )
1/2"	6.46	1-1/2"	18.68	5"	209.41	12"	600.71
3/4"	12.32	2"	30.28	6"	241.18		
1"	12.32	3"	57.62	8"	342.86		
1-1/4"	18.68	4"	91.89	10"	532.80		

\*See DETERMINING RATIOS on page S5 of the Strainer Information Section for calculating NET FREE AREA of the screen to inside pipe area.

# PRESSURE DROP CHART

## Flanged "Y" Pattern Strainers (Styles SA, SA-7, SSA and SSA-7)

This pressure drop chart is based on the flow of clean water through the Keckley "Y" strainers listed above with screen perforations ranging from 3/64" through 1/8".

**TO USE CHARTS:**

Find your desired rate of flow (GPM) on the left hand side of the chart. Follow its corresponding horizontal line to the point where it intersects the diagonal line indicating the strainer pipe size. From this point of intersection, follow the vertical line down to the bottom of the chart to determine the approximate pressure drop.

**CORRECTION FACTORS:**

For finer mesh screens that are backed with a perforated sheet, multiply the pressure drops shown at right by the following:

- 40 mesh x 1.2
- 60 mesh x 1.4
- 80 mesh x 1.6
- 100 mesh x 1.7

