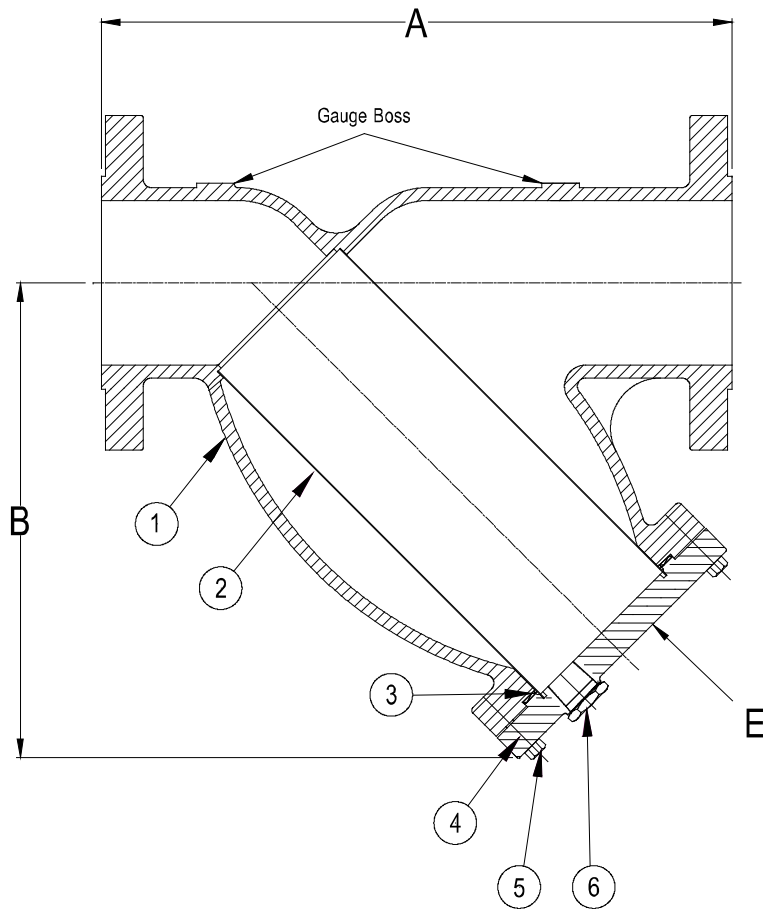


DRAWING NO.  
AL 90160



BODY PRESSURE & TEMPERATURE RATINGS – NON SHOCK		
NOM. RATING	MEDIA	1/2" to 14"
600# R.F. & D. (EX. HEAVY FLANGE)	STEAM	600 PSI @ 838°F
	W.O.G.	1480 PSI @ 100°F

PARTS LIST		
ITEM	DESCRIPTION	MATERIAL
1	BODY	CARBON STEEL (ASTM A 216, GRADE WCB)
2	SCREEN	STAINLESS STEEL (304)
3	GASKET	SPIRAL WOUND STAINLESS STEEL (304) – WITH GRAPHITE FILLER
4	COVER	CARBON STEEL (ASTM A 216, GRADE WCB)
5	HEX HEAD CAP SCREWS	CARBON STEEL (ASTM A 193, GRADE B7)
6	BLOW-OFF PLUG	CARBON STEEL (ASTM A 105)

Product Number†	SIZE	DIMENSIONS (in)			COVER		WEIGHT (lbs)
		A	B	E	No. of Bolts	Size of Bolts	
1/25RFY-CS062P34-GB	1/2	6-5/8	3-1/2	3/8	4	3/8-16 X 1-1/2	6
3/45RFY-CS062P34-GB	3/4	8-3/8	3-3/4	1/2	4	3/8-16 X 1-1/2	13
15RFY-CS062P34-GB	1	8-3/8	3-3/4	1/2	4	3/8-16 X 1-1/2	13
11/45RFY-CS062P34-GB	1-1/4	10-1/8	5-1/2	1/2	4	3/8-16 X 1-1/2	19
11/25RFY-CS062P34-GB	1-1/2	10-1/4	5-1/2	1/2	4	3/8-16 X 1-1/2	27
25RFY-CS062P34-GB	2	11	7	1/2	4	1/2-13 X 1-3/4	40
21/25RFY-CS062P34-GB	2-1/2	12	8-1/4	1	4	1/2-13 X 2	60
35RFY-CS062P34-GB	3	13-1/2	9-1/4	1	6	1/2-13 X 2	78
45RFY-CS062P34-GB	4	18	12-1/2	1-1/2	6	1/2-13 X 2-1/4	160
65RFY-CS125P34-GB	6	25-5/8	20	2	12	5/8-11 X 2-3/8	364
85RFY-CS125P34-GB	8	31-3/4	24	2	12	5/8-11 X 3-3/4	670
105RFY-CS125P34-GB	10	37-3/4	28-1/2	2	16	5/8-11 X 4-1/8	1090
125RFY-CS062P34-GB	12	45-1/2	34-1/2	2	16	5/8-11 X 4-3/4	1558

†See "Style SA Product Number Configuration" for additional options.  
Face to face values tolerance in compliance with ASME B16.5.

STANDARD SCREENS SUPPLIED

SIZE	SCREEN PERFORATION			
	FOR LIQUID	OPEN AREA	FOR STEAM	OPEN AREA
in	in		in	
2 to 4	1/16	30%	3/64	33%
5 to 10	1/8	43%	3/64	33%
12 to 14	1/8	43%	1/16	30%

Standard screens supplied are for liquid service, unless otherwise specified.  
Options: Other perforations, meshes, and screen materials are available.

**KECKLEY**

3400 CLEVELAND SKOKIE ILLINOIS

DIMENSIONAL ASSEMBLY

1/2" to 12" 600# Flg Style SA

MAT'L: Cast Carbon Steel

REQ. ---

DRAWING NO.  
AL 90160

PART NO.

SCALE: NTS

DATE: 09/21/2020

DR. BY DSF