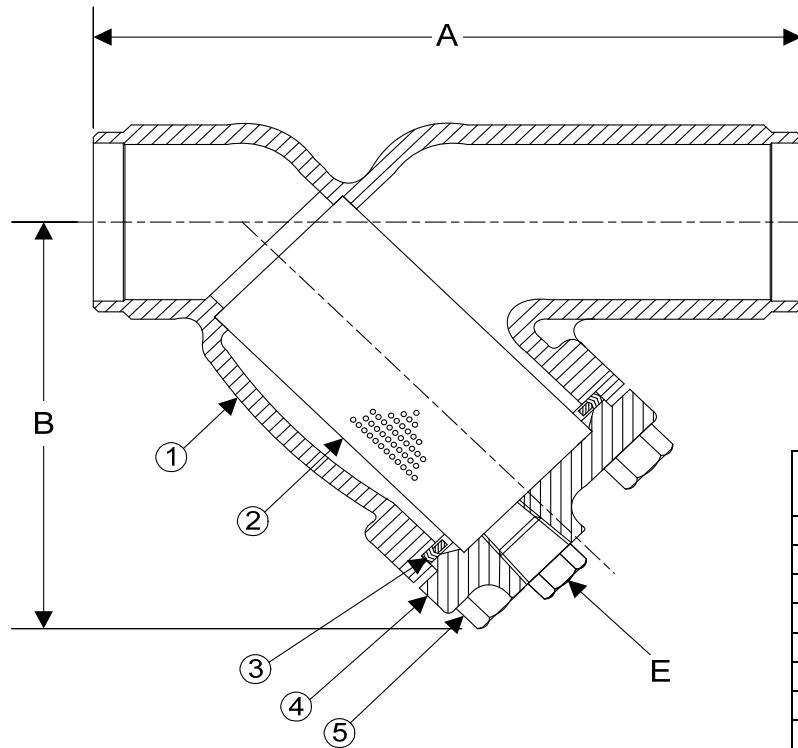


DRAWING NO.
AL 90080

BODY PRESSURE & TEMPERATURE RATINGS – NON SHOCK		
NOM. RATING	MEDIA	1/2" to 14"
150# BUTT WELD	STEAM	150 PSI @ 565°F
	W.O.G.	285 PSI @ 100°F



PARTS LIST		
ITEM	DESCRIPTION	MATERIAL
1	BODY	CARBON STEEL (ASTM A 216, GRADE WCB)
2	SCREEN	STAINLESS STEEL (304)
3	GASKET	SPIRAL WOUND STAINLESS STEEL (304) – WITH GRAPHITE FILLER
4	COVER	CARBON STEEL (ASTM A 216, GRADE WCB)
5	HEX HEAD CAP SCREWS	CARBON STEEL (ASTM A 193, GRADE B7)

Optional: Blow-off Plug, Carbon Steel (ASTM A 105)

Product Number†	SIZE	DIMENSIONS (in)			COVER		WEIGHT (lbs)
		A	B	E	No. of Bolts	Size of Bolts	
1/22B4Y-CS062P34-GB	1/2	6-1/2	3-3/4	3/8	4	3/8-16 X 1-1/2	7
3/42B4Y-CS062P34-GB	3/4	7-3/8	4-1/4	1/2	4	3/8-16 X 1-1/2	11
12B4Y-CS062P34-GB	1	7-3/8	4-1/4	1/2	4	3/8-16 X 1-1/2	11
11/42B4Y-CS062P34-GB	1-1/4	7	5-1/8	1/2	4	3/8-16 X 1-1/2	12
11/22B4Y-CS062P34-GB	1-1/2	7-1/8	5-1/8	1/2	4	3/8-16 X 1-1/2	14
22B4Y-CS062P34-GB	2	7-7/8	6	1/2	4	1/2-13 X 1-3/4	22
21/22B4Y-CS062P34-GB	2-1/2	9-3/4	7	1	4	1/2-13 X 1-3/4	32
32B4Y-CS062P34-GB	3	10-1/16	7-7/16	1	4	1/2-13 X 1-3/4	41
42B4Y-CS062P34-GB	4	12-1/8	8-15/16	1-1/2	4	1/2-13 X 1-3/4	63
52B4Y-CS125P34-GB	5	15-1/2	13-1/32	2	8	5/8-11 X 2-1/4	111
62B4Y-CS125P34-GB	6	18-1/2	13-1/4	2	8	5/8-11 X 2-1/4	136
82B4Y-CS125P34-GB	8	21-3/8	15-1/2	2	12	5/8-11 X 2-1/4	212
102B4Y-CS125P34-GB	10	26	18-7/16	2	12	5/8-11 X 2-1/4	280
122B4Y-CS062P34-GB	12	29-7/8	21-5/8	2	16	5/8-11 X 2-3/4	460

†See "Style SA7 Product Number Configuration" for additional options.

Face to face values tolerance in compliance with ASME B16.10.

STANDARD SCREENS SUPPLIED

SIZE	SCREEN PERFORATION			
	FOR LIQUID	OPEN AREA	FOR STEAM	OPEN AREA
in	in		in	
2 to 4	1/16	30%	3/64	33%
5 to 10	1/8	43%	3/64	33%
12 to 14	1/8	43%	1/16	30%

Standard screens supplied are for liquid service, unless otherwise specified.

Options: Other perforations, meshes, and screen materials are available.

KECKLEY

3400 CLEVELAND SKOKIE ILLINOIS

DRAWING NO.
AL 90080

DIMENSIONAL ASSEMBLY

PART NO.

1/2" to 12" 150# Sch 40 Butt Weld Style SA7

SCALE: NTS

DATE: 09/21/2020

MAT'L: Cast Carbon Steel

REQ. ---

DR. BY DSF