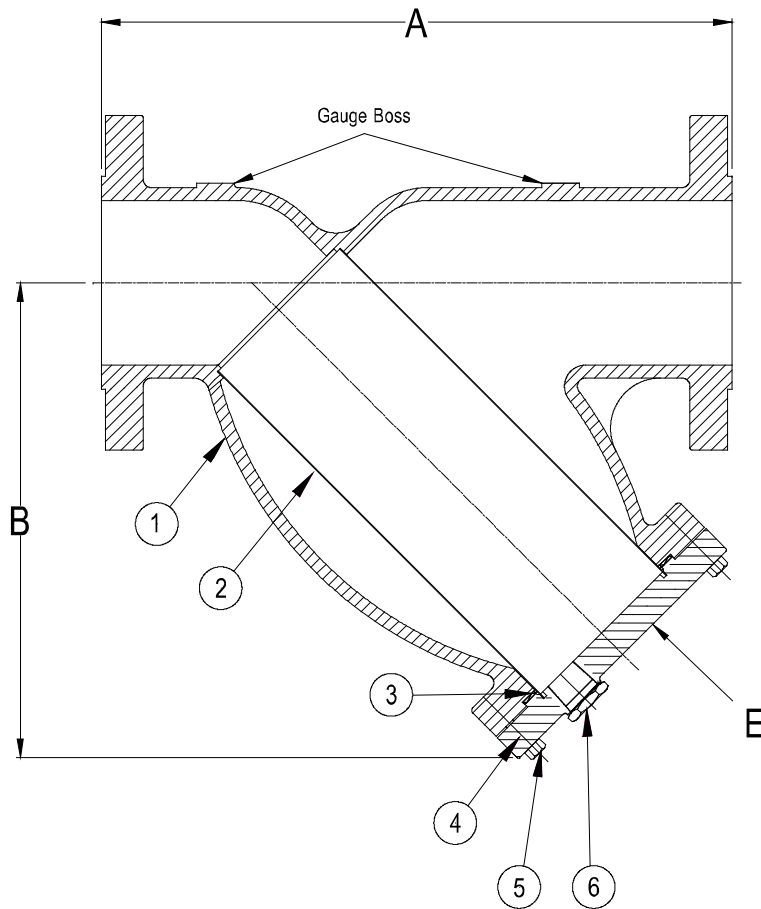


DRAWING NO.  
AL 77022

BODY PRESSURE & TEMPERATURE RATINGS – NON SHOCK		
NOM. RATING	MEDIA	1/2" to 14"
300# R.F. & D. (EX. HEAVY FLANGE)	STEAM	300 PSI @ 838°F
	W.O.G.	740 PSI @ 100°F



PARTS LIST		
ITEM	DESCRIPTION	MATERIAL
1	BODY	CARBON STEEL (ASTM A 216, GRADE WCB)
2	SCREEN	STAINLESS STEEL (304)
3	GASKET	SPIRAL WOUND STAINLESS STEEL (304) – WITH GRAPHITE FILLER
4	COVER	CARBON STEEL (ASTM A 216, GRADE WCB)
5	HEX HEAD CAP SCREWS	CARBON STEEL (ASTM A 193, GRADE B7)
6	BLOW-OFF PLUG	CARBON STEEL (ASTM A 105)

Product Number†	SIZE	DIMENSIONS (in)			COVER		WEIGHT (lbs)
		A	B	E	No. of Bolts	Size of Bolts	
1/24RFY-CS062P34-GB	1/2	6-1/8	3-3/4	3/8	4	3/8-16 x 1-1/2	6
3/44RFY-CS062P34-GB	3/4	7-3/4	4-1/4	1/2	4	3/8-16 x 1-1/2	13
14RFY-CS062P34-GB	1	7-7/8	4-1/4	1/2	4	3/8-16 x 1-1/2	13
11/44RFY-CS062P34-GB	1-1/4	8-1/8	5-1/8	1/2	4	3/8-16 x 1-1/2	19
11/24RFY-CS062P34-GB	1-1/2	8-1/4	5-1/8	1/2	4	3/8-16 x 1-1/2	19
24RFY-CS062P34-GB	2	9-1/2	6	1/2	4	1/2-13 x 1-3/4	33
21/24RFY-CS062P34-GB	2-1/2	10-3/8	7	1	4	1/2-13 x 1-3/4	44
34RFY-CS062P34-GB	3	12	7-5/16	1	4	1/2-13 x 1-3/4	58
44RFY-CS062P34-GB	4	14-1/2	8-15/16	1-1/2	6	1/2-13 x 1-3/4	90
54RFY-CS125P34-GB	5	19-5/16	13-1/32	2	12	5/8-11 x 2-1/4	180
64RFY-CS125P34-GB	6	19-5/16	13-1/4	2	12	5/8-11 x 2-1/4	180
84RFY-CS125P34-GB	8	23-3/8	15-1/2	2	12	5/8-11 x 2-3/4	304
104RFY-CS125P34-GB	10	27-3/8	18-7/16	2	16	5/8-11 x 3	470
124RFY-CS125P34-GB	12	32	21-5/8	2	20	5/8-11 x 3-1/4	709
144RFY-CS125P34-GB	14	36	25	2	16	3/4-10 x 3-1/8	1300

†See "Style SA7 Product Number Configuration" for additional options.  
Face to face values tolerance in compliance with ASME B16.5.

STANDARD SCREENS SUPPLIED

SIZE	SCREEN PERFORATION			
	FOR LIQUID	OPEN AREA	FOR STEAM	OPEN AREA
in	in		in	
2 to 4	1/16	30%	3/64	33%
5 to 10	1/8	43%	3/64	33%
12 to 14	1/8	43%	1/16	30%

Standard screens supplied are for **liquid service**, unless otherwise specified.  
Options: Other perforations, meshes, and screen materials are available.

 3400 CLEVELAND SKOKIE ILLINOIS	DRAWING NO. AL 77022
	PART NO.
DIMENSIONAL ASSEMBLY	SCALE: NTS
1/2" to 14" 300# Flg Style SA7	DATE: 09/21/2020
MAT'L: Cast Carbon Steel	REQ. ---
	DR. BY DSF