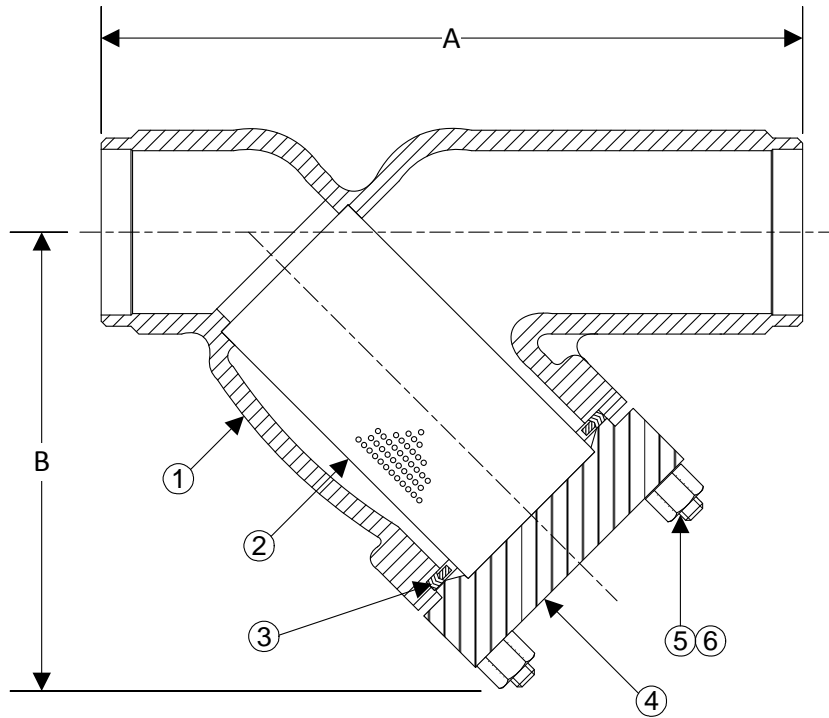


DRAWING NO.
AL 90680



BODY PRESSURE & TEMPERATURE RATINGS - NON SHOCK		
NOM. RATING	MEDIA	1/2" to 8"
2500# SCH XXS (BUTT WELD)	STEAM	3430 PSI @ 800°F
	W.O.G.	6170 PSI @ 100°F

PARTS LIST		
ITEM	DESCRIPTION	MATERIAL
1	BODY	CARBON STEEL (ASTM A 216, GRADE WCB)
2	SCREEN	STAINLESS STEEL (304)
3	GASKET	SPIRAL WOUND STAINLESS STEEL (304) - WITH GRAPHITE FILLER
4	COVER	CARBON STEEL (ASTM A 216, GRADE WCB)
5	STUDS	ALLOY STEEL (ASTM A 193, GRADE B)
6	HEAVY HEX NUTS	ALLOY STEEL (ASTM A 194,)


Product Number†	SIZE	DIMENSIONS (in)		WEIGHT (lbs)
		A	B	
1/28BZY-CS033P34-GB	1/2	12-5/8	7-11/16	30
3/48BZY-CS033P34-GB	3/4	12-5/8	7-11/16	40
18BZY-CS033P34-GB	1	12-5/8	7-11/16	65
11/48BZY-CS033P34-GB	1-1/4	16-7/8	10-1/2	140
11/28BZY-CS033P34-GB	1-1/2	16-7/8	10-1/2	140
28BZY-CS033P34-GB	2	17	12-1/2	240
21/28BZY-CS033P34-GB	2-1/2	23	18-13/16	500
38BZY-CS033P34-GB	3	23	18-13/16	560
48BZY-CS033P34-GB	4	33-3/8	20-1/4	850
68BZY-CS045P34-GB	6	31	20	1900
88BZY-CS045P34-GB	8	Consult Factory	Consult Factory	Consult Factory

†See "Style SA Product Number Configuration" for additional options.

STANDARD SCREENS SUPPLIED

SIZE in	SCREEN GAGE	SCREEN PERFORATION			
		FOR STEAM in	OPEN AREA	FOR LIQUID in	OPEN AREA
1/2 to 4	28	1/32	29%	1/16	30%
5 to 8	24	3/64	33%	1/8	43%

Standard screens supplied are for steam service, unless otherwise specified.
Options: Other perforations, meshes, and screen materials are available.

		DRAWING NO.
3400 CLEVELAND SKOKIE ILLINOIS		AL 90680
DIMENSIONAL ASSEMBLY		PART NO. 8BZY-CS
1/2" to 8" 2500# Butt Weld Style SA		SCALE: NTS
		DATE: 09/22/2014
MAT'L: (As Noted Above)	REQ. ---	DR. BY DSF