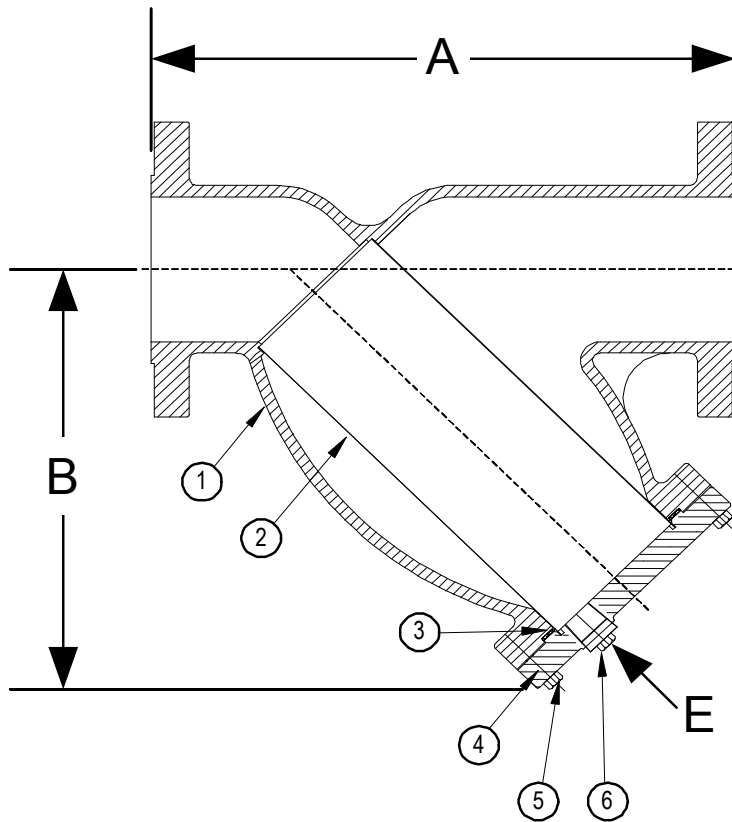


DRAWING NO.
AL 90380C9



| BODY PRESSURE & TEMPERATURE RATINGS - NON SHOCK | | |
|---|--------|------------------|
| NOM. RATING | MEDIA | 1/2" to 14" |
| 600# R.F. & D. | STEAM | 600 PSI @ 1125°F |
| (EX. HEAVY FLANGE) | W.O.G. | 1440 PSI @ 100°F |

| PARTS LIST | | |
|------------|---------------------|---|
| ITEM | DESCRIPTION | MATERIAL |
| 1 | BODY | CAST CHROME-MOLY (ASTM A 217, GRADE WC9) |
| 2 | SCREEN | STAINLESS STEEL (304) |
| 3 | GASKET | SPIRAL WOUND STAINLESS STEEL (304) - WITH GRAPHITE FILLER |
| 4 | COVER | CAST CHROME-MOLY (ASTM A 217, GRADE WC9) |
| 5 | HEX HEAD CAP SCREWS | STAINLESS STEEL (ASTM A 193, GRADE B8) |
| 6 | BLOW-OFF PLUG | STAINLESS STEEL (304) |

| Product Number† | SIZE | DIMENSIONS (in) | | | COVER | | WEIGHT (lbs) |
|----------------------|-------|-----------------|--------|-------|--------------|----------------|--------------|
| | | A | B | E | No. of Bolts | Size of Bolts | |
| 1/25RFY-C9045P34-GB | 1/2 | 6-5/8 | 3-1/2 | 3/8 | 4 | 3/8-16 x 1-1/2 | 6 |
| 3/45RFY-C9045P34-GB | 3/4 | 8-3/8 | 3-3/4 | 1/2 | 4 | 3/8-16 x 1-1/2 | 13 |
| 15RFY-C9045P34-GB | 1 | 8-3/8 | 3-3/4 | 1/2 | 4 | 3/8-16 x 1-1/2 | 13 |
| 11/45RFY-C9045P34-GB | 1-1/4 | 10-1/8 | 5-1/2 | 1/2 | 4 | 3/8-16 x 1-1/2 | 19 |
| 11/25RFY-C9045P34-GB | 1-1/2 | 10-1/4 | 5-1/2 | 1/2 | 4 | 3/8-16 x 1-1/2 | 27 |
| 25RFY-C9045P34-GB | 2 | 11 | 7 | 1/2 | 4 | 1/2-13 x 1-3/4 | 40 |
| 21/25RFY-C9045P34-GB | 2-1/2 | 12 | 8-1/4 | 1 | 4 | 1/2-13 x 1-3/4 | 60 |
| 35RFY-C9045P34-GB | 3 | 13-1/2 | 9-1/4 | 1 | 6 | 1/2-13 x 1-3/4 | 78 |
| 45RFY-C9045P34-GB | 4 | 18 | 12-1/2 | 1-1/2 | 6 | 1/2-13 x 2 | 160 |
| 65RFY-C9045P34-GB | 6 | 25-5/8 | 20 | 2 | 12 | 5/8-11 x 2-1/4 | 364 |
| 85RFY-C9045P34-GB | 8 | 31-3/4 | 24 | 2 | 12 | 5/8-11 x 2-3/4 | 670 |
| 105RFY-C9045P34-GB | 10 | 37-3/4 | 28-1/2 | 2 | 16 | 5/8-11 x 3 | 1090 |
| 125RFY-C9062P34-GB | 12 | 45-1/2 | 34-1/2 | 2 | 20 | 5/8-11 x 3-1/4 | 1558 |

†See "Style SSA Product Number Configuration" for additional options.

STANDARD SCREENS SUPPLIED

| SIZE | SCREEN GAGE | SCREEN PERFORATION | | | |
|----------|-------------|--------------------|-----------|------------|-----------|
| | | FOR STEAM | OPEN AREA | FOR LIQUID | OPEN AREA |
| in | | in | | in | |
| 1/2 to 4 | 28 | 3/64 | 33% | 1/16 | 30% |
| 5 to 10 | 24 | 3/64 | 33% | 1/8 | 43% |
| 12 to 14 | 24 | 1/16 | 30% | 1/8 | 43% |

Standard screens supplied are for **steam service**, unless otherwise specified.

Options: Other perforations, meshes, and screen materials are available.

KECKLEY

3400 CLEVELAND SKOKIE ILLINOIS

DRAWING NO.
AL 90380C9

DIMENSIONAL ASSEMBLY

PART NO.

1/2" to 12" 600# Flg Style SA-C9

SCALE: NTS

DATE: 07/01/2011

MAT'L: Cast Chrome-Moly WC9

REQ. ---

DR. BY DSF