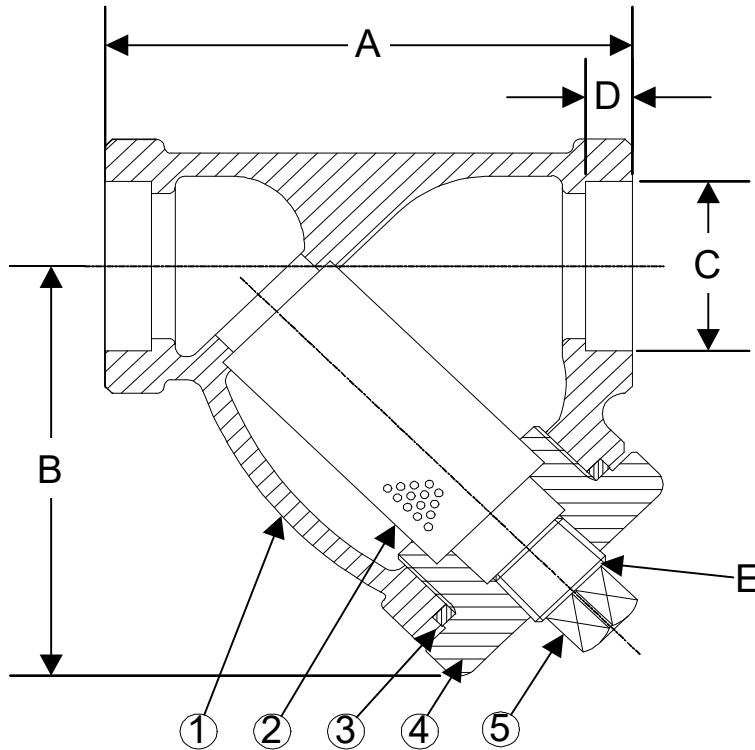


DRAWING NO.
AL 77012



BODY PRESSURE & TEMPERATURE RATINGS – NON SHOCK		
NOM. RATING	MEDIA	1/4" to 3"
600# (Socket Weld)	STEAM	600 PSI @ 838°F
	W.O.G.	1480 PSI @ 100°F

PARTS LIST		
ITEM	DESCRIPTION	MATERIAL
1	BODY	CARBON STEEL (ASTM A 216, GRADE WCB)
2	SCREEN	STAINLESS STEEL (304)
3	GASKET	SPIRAL WOUND STAINLESS STEEL (304) – WITH GRAPHITE FILLER
4	CAP	CARBON STEEL (ASTM A 216, GRADE WCB)

Optional: Blow-off Plug, Carbon Steel (ASTM A 105)

Product Number [†]	SIZE	DIMENSIONS					WEIGHT
		A	B	C	D	E	
1/4SWY-CS062P34-GT	1/4	2-15/16	2-7/16	0.555	3/8	1/4	3
3/8SWY-CS062P34-GT	3/8	2-15/16	2-7/16	0.690	3/8	1/4	3
1/2SWY-CS062P34-GT	1/2	2-15/16	2-7/16	0.855	3/8	1/4	3
3/4SWY-CS062P34-GT	3/4	3-11/16	3	1.065	1/2	3/8	5
1SWY-CS062P34-GT	1	4-9/16	4-5/16	1.330	1/2	3/8	6
1 1/4SWY-CS062P34-GT	1-1/4	4-15/16	4-3/16	1.675	1/2	3/4	8
1 1/2SWY-CS062P34-GT	1-1/2	5-9/16	4-11/16	1.915	1/2	3/4	10
2SWY-CS062P34-GT	2	6-15/16	6-1/4	2.406	5/8	1	16
2 1/2SWY-CS062P34-GT	2-1/2	12	9-3/8	2.906	5/8	1-1/4	43
3SWY-CS062P34-GT	3	12	9-3/8	3.535	5/8	1-1/4	43

[†]See "Style SB7 Product Number Configuration" for additional options.

Face to face values tolerance in compliance with ASME B16.11.

STANDARD SCREENS SUPPLIED

SIZE	SCREEN PERFORATION			
	FOR LIQUID	OPEN AREA	FOR STEAM	OPEN AREA
in	in		in	
1/4 to 3	1/16	30%	3/64"	33%

Standard screens supplied are for **liquid service**, unless otherwise specified.
Options: Other meshes, perforations, and screen materials are available.

KECKLEY

3400 CLEVELAND SKOKIE ILLINOIS

DRAWING NO.
AL 77012

DIMENSIONAL ASSEMBLY

PART NO.

1/4" to 3" 600# Socket Weld Style SB7

SCALE: NTS

DATE: 09/21/2020

MAT'L: Cast Carbon Steel

REQ. ---

DR. BY DSF