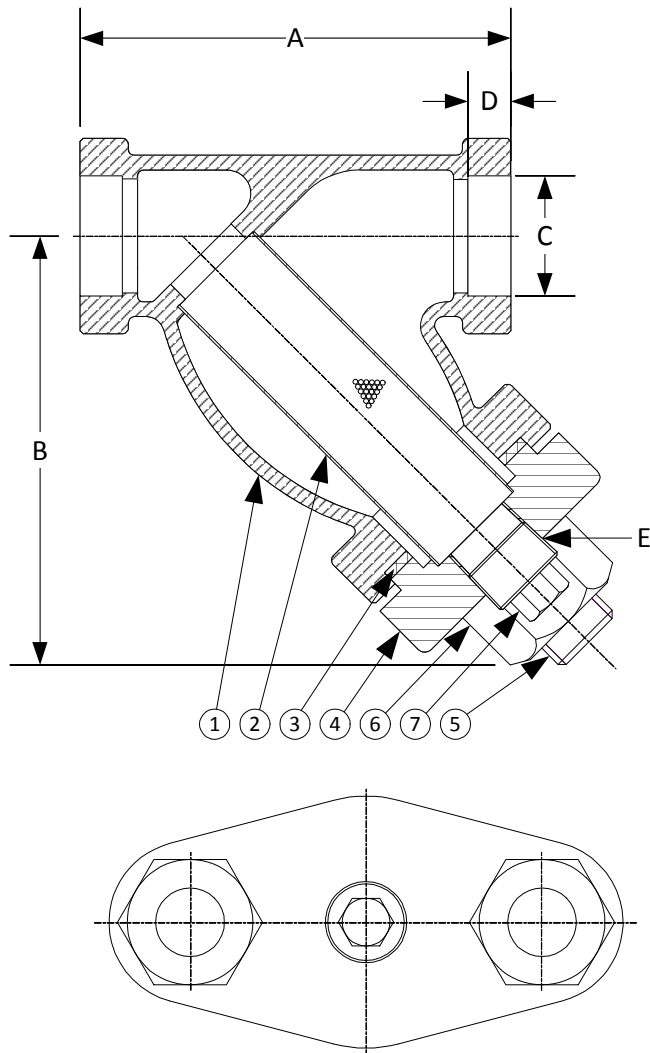


DRAWING NO.
AL XXXXX



| BODY PRESSURE & TEMPERATURE RATINGS - NON SHOCK | | |
|---|--------|------------------|
| NOM. RATING | MEDIA | 1/4" to 3" |
| 600# (SOCKET WELD) | STEAM | 600 PSI @ 838°F |
| | W.O.G. | 1480 PSI @ 100°F |

| PARTS LIST | | |
|------------|-------------|---|
| ITEM | DESCRIPTION | MATERIAL |
| 1 | BODY | CAST CHROME-MOLY (ASTM A 217, GRADE WC6) |
| 2 | SCREEN | STAINLESS STEEL (304) |
| 3 | GASKET | SPIRAL WOUND STAINLESS STEEL (304) - WITH GRAPHITE FILLER |
| 4 | CAP | CAST CHROME-MOLY (ASTM A 217, GRADE WC6) |
| 5 | STUD | CARBON STEEL (ASTM A 193, GRADE B7) |
| 6 | NUT | CARBON STEEL (ASTM A 194, GRADE 2H) |
| 7 | PLUG | STAINLESS STEEL (304) |

| Product Number† | SIZE | DIMENSIONS | | | | | COVER | | WEIGHT |
|----------------------|-------|------------|-------|-------|-----|-------|--------------|-----------------|--------|
| | | A | B | C | D | E | No. of Bolts | Size of Bolts | |
| 1/4SWY-C6045P34-GB | 1/4 | 3 | 2-1/2 | .555 | 3/8 | 1/4 | 2 | 3/8-16 x 1-1/2 | 3 |
| 3/8SWY-C6045P34-GB | 3/8 | 3 | 2-1/2 | .690 | 3/8 | 1/4 | 2 | 3/8-16 x 1-1/2 | 3 |
| 1/2SWY-C6045P34-GB | 1/2 | 3-7/8 | 3-1/4 | .855 | 3/8 | 1/4 | 2 | 3/8-16 x 1-1/2 | 4 |
| 3/4SWY-C6045P34-GB | 3/4 | 4-1/4 | 4-1/4 | 1.065 | 1/2 | 3/8 | 2 | 1/2-13 x 2-1/4 | 5 |
| 1SWY-C6045P34-GB | 1 | 4-15/16 | 4-5/8 | 1.330 | 1/2 | 1/2 | 2 | 5/8-11 x 2-5/8 | 7 |
| 1 1/4SWY-C6045P34-GB | 1-1/4 | 5-5/8 | 5-1/2 | 1.675 | 1/2 | 3/4 | 2 | 5/8-11 x 2-3/4 | 11 |
| 1 1/2SWY-C6045P34-GB | 1-1/2 | 6-1/4 | 6-1/4 | 1.915 | 1/2 | 3/4 | 2 | 7/8-9 x 3-1/8 | 16 |
| 2SWY-C6045P34-GB | 2 | 7-1/2 | 7-1/4 | 2.406 | 5/8 | 1 | 2 | 1-8 x 3-1/2 | 22 |
| 2 1/2SWY-C6045P34-GB | 2-1/2 | 12 | 9-3/8 | 2.906 | 5/8 | 1-1/4 | 2 | 1-1/8-7 x 4-1/8 | 43 |
| 3SWY-C6045P34-GB | 3 | 12 | 9-3/8 | 3.535 | 5/8 | 1-1/4 | 2 | 1-1/8-7 x 4-1/8 | 43 |

†See "Style SB-7BC Product Number Configuration" for additional options.

STANDARD SCREENS SUPPLIED

| SIZE | SCREEN GAGE | SCREEN PERFORATION | | | |
|----------|-------------|--------------------|-----------|------------|-----------|
| | | FOR STEAM | OPEN AREA | FOR LIQUID | OPEN AREA |
| in | | in | | in | |
| 1/4 to 3 | 26 | 3/64 | 33% | 1/16 | 30% |

Standard screens supplied are for **steam service**, unless otherwise specified.
Options: Other meshes, perforations, and screen materials are available.

KECKLEY

3400 CLEVELAND SKOKIE ILLINOIS

DRAWING NO.
AL XXXXX

DIMENSIONAL ASSEMBLY

PART NO.

1/4" to 3" 600# Socket Weld Style SB-7BCW6

SCALE: NTS

DATE: 07/01/2011

MAT'L: Cast Chrome-Moly

REQ. ---

DR. BY DSF