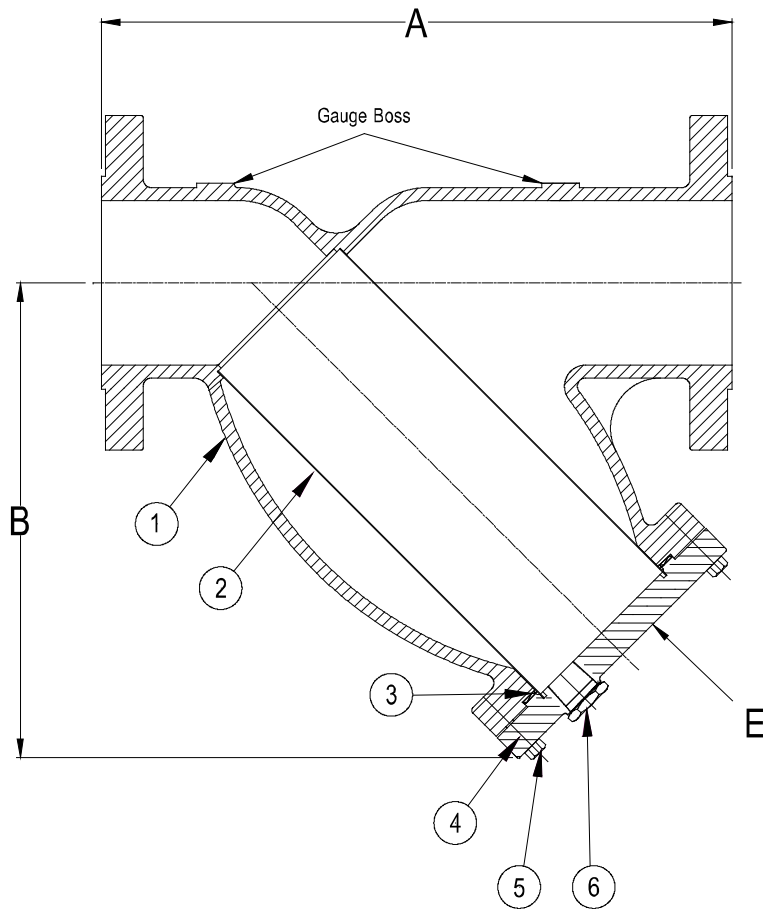


DRAWING NO.
AL 90360



BODY PRESSURE & TEMPERATURE RATINGS – NON SHOCK		
NOM. RATING	MEDIA	1/2" to 12"
600# R.F. & D. (EX. HEAVY FLANGE)	STEAM	600 PSI @ 1125°F
	W.O.G.	1440 PSI @ 100°F

PARTS LIST		
ITEM	DESCRIPTION	MATERIAL
1	BODY	STAINLESS STEEL (ASTM A 351, GRADE CF8M)
2	SCREEN	STAINLESS STEEL (304)
3	GASKET	SPIRAL WOUND STAINLESS STEEL (304) – WITH GRAPHITE FILLER
4	COVER	STAINLESS STEEL (ASTM A 351, GRADE CF8M)
5	HEX HEAD CAP SCREWS	STAINLESS STEEL (ASTM A 193, GRADE B8)
6	BLOW-OFF PLUG	STAINLESS STEEL (304)

Product Number†	SIZE	DIMENSIONS (in)			COVER		WEIGHT (lbs)
		A	B	E	No. of Bolts	Size of Bolts	
1/25RFY-36062P34-GB	1/2	6-5/8	3-1/2	3/8	4	3/8-16 X 1-1/2	6
3/45RFY-36062P34-GB	3/4	8-3/8	3-3/4	1/2	4	3/8-16 X 1-1/2	13
15RFY-36062P34-GB	1	8-3/8	3-3/4	1/2	4	3/8-16 X 1-1/2	13
11/45RFY-36062P34-GB	1-1/4	10-1/8	5-1/2	1/2	4	3/8-16 X 1-1/2	19
11/25RFY-36062P34-GB	1-1/2	10-1/4	5-1/2	1/2	4	3/8-16 X 1-1/2	27
25RFY-36062P34-GB	2	11	7	1/2	4	1/2-13 X 1-3/4	40
21/25RFY-36062P34-GB	2-1/2	12	8-1/4	1	4	1/2-13 X 2	60
35RFY-36062P34-GB	3	13-1/2	9-1/4	1	6	1/2-13 X 2	78
45RFY-36062P34-GB	4	18	12-1/2	1-1/2	6	1/2-13 X 2-1/4	160
65RFY-36125P34-GB	6	25-5/8	20	2	12	5/8-11 X 2-3/8	364
85RFY-36125P34-GB	8	31-3/4	24	2	12	5/8-11 X 3-3/4	670
105RFY-36125P34-GB	10	37-3/4	28-1/2	2	16	5/8-11 X 4-1/8	1090
125RFY-36125P34-GB	12	45-1/2	34-1/2	2	16	5/8-11 X 4-3/4	1558

†See "Style SSA Product Number Configuration" for additional options.

Face to face values tolerance in compliance with ASME B16.5.

STANDARD SCREENS SUPPLIED

SIZE	SCREEN PERFORATION			
	FOR LIQUID	OPEN AREA	FOR STEAM	OPEN AREA
in	in		in	
2 to 4	1/16	30%	3/64	33%
5 to 10	1/8	43%	3/64	33%
12	1/8	43%	1/16	30%

Standard screens supplied are for liquid service, unless otherwise specified.

Options: Other perforations, meshes, and screen materials are available.

KECKLEY

3400 CLEVELAND SKOKIE ILLINOIS

DIMENSIONAL ASSEMBLY

1/2" to 12" 600# Flg Style SSA

MAT'L: Cast Stainless Steel (316)

REQ. ---

DRAWING NO.

AL 90360

PART NO.

SCALE: NTS

DATE: 09/21/2020

DR. BY DSF