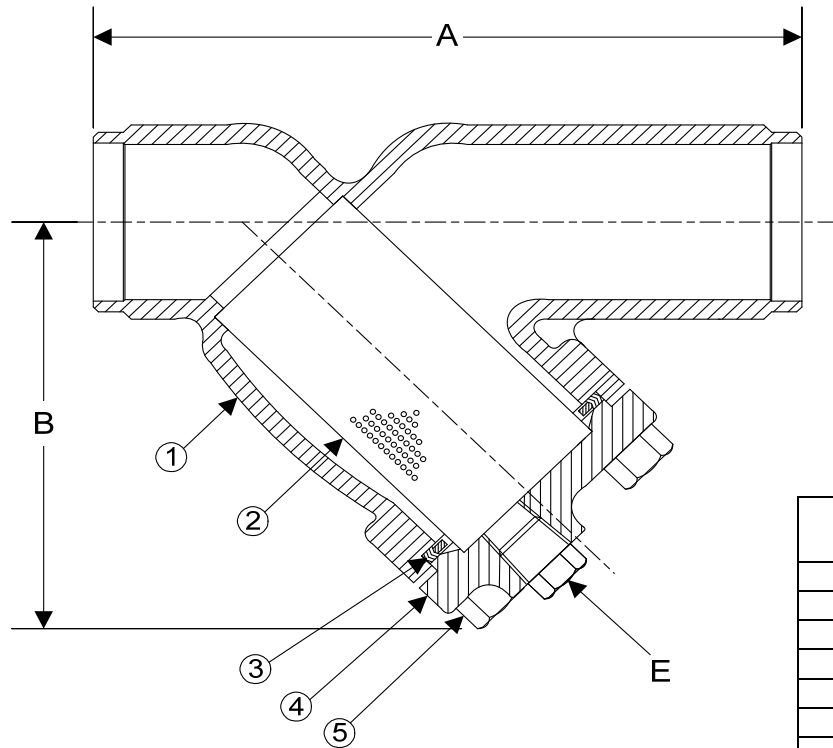


DRAWING NO.  
AL 90280



BODY PRESSURE & TEMPERATURE RATINGS – NON SHOCK		
NOM. RATING	MEDIA	1/2" to 12"
150# BUTT WELD	STEAM	150 PSI @ 565°F
	W.O.G.	275 PSI @ 100°F

PARTS LIST		
ITEM	DESCRIPTION	MATERIAL
1	BODY	STAINLESS STEEL (ASTM A 351, GRADE CF8M)
2	SCREEN	STAINLESS STEEL (304)
3	GASKET	SPIRAL WOUND STAINLESS STEEL (304) – WITH GRAPHITE FILLER
4	COVER	STAINLESS STEEL (ASTM A 351, GRADE CF8M)
5	HEX HEAD CAP SCREWS	STAINLESS STEEL (ASTM A 193, GRADE B8)

Optional: Blow-off Plug, Stainless Steel (304)

Product Number†	SIZE	DIMENSIONS (in)			COVER		WEIGHT (lbs)
		A	B	E	No. of Bolts	Size of Bolts	
1/22B4Y-36062P34-GB	1/2	6-1/2	3-3/4	3/8	4	3/8-16 X 1-1/2	7
3/42B4Y-36062P34-GB	3/4	7-3/8	4-1/4	1/2	4	3/8-16 X 1-1/2	11
12B4Y-36062P34-GB	1	7-3/8	4-1/4	1/2	4	3/8-16 X 1-1/2	11
11/42B4Y-36062P34-GB	1-1/4	7	5-1/8	1/2	4	3/8-16 X 1-1/2	12
11/22B4Y-36062P34-GB	1-1/2	7-1/8	5-1/8	1/2	4	3/8-16 X 1-1/2	14
22B4Y-36062P34-GB	2	7-7/8	6	1/2	4	1/2-13 X 1-3/4	22
21/22B4Y-36062P34-GB	2-1/2	9-3/4	7	1	4	1/2-13 X 1-3/4	32
32B4Y-36062P34-GB	3	10-1/16	7-7/16	1	4	1/2-13 X 1-3/4	41
42B4Y-36062P34-GB	4	12-1/8	8-15/16	1-1/2	4	1/2-13 X 1-3/4	63
52B4Y-36125P34-GB	5	15-1/2	13-1/32	2	8	5/8-11 X 2-1/4	111
62B4Y-36125P34-GB	6	18-1/2	13-1/4	2	8	5/8-11 X 2-1/4	136
82B4Y-36125P34-GB	8	21-3/8	15-1/2	2	12	5/8-11 X 2-1/4	212
102B4Y-36125P34-GB	10	26	18-7/16	2	12	5/8-11 X 2-1/4	280
122B4Y-36125P34-GB	12	29-7/8	21-5/8	2	16	5/8-11 X 2-3/4	460

†See "Style SSA7 Product Number Configuration" for additional options.

Face to face values tolerance in compliance with ASME B16.10.

STANDARD SCREENS SUPPLIED

SIZE	SCREEN PERFORATION			
	FOR LIQUID	OPEN AREA	FOR STEAM	OPEN AREA
in	in		in	
2 to 4	1/16	30%	3/64	33%
5 to 10	1/8	43%	3/64	33%
12	1/8	43%	1/16	30%

Standard screens supplied are for liquid service, unless otherwise specified.

Options: Other perforations, meshes, and screen materials are available.



3400 CLEVELAND SKOKIE ILLINOIS

DRAWING NO.  
AL 90280

DIMENSIONAL ASSEMBLY

PART NO.

1/2" to 12" 150# Sch 40 Butt Weld Style SSA7

SCALE: NTS

DATE: 09/21/2020

MAT'L: Cast Stainless Steel (316)

REQ. ---

DR. BY DSF