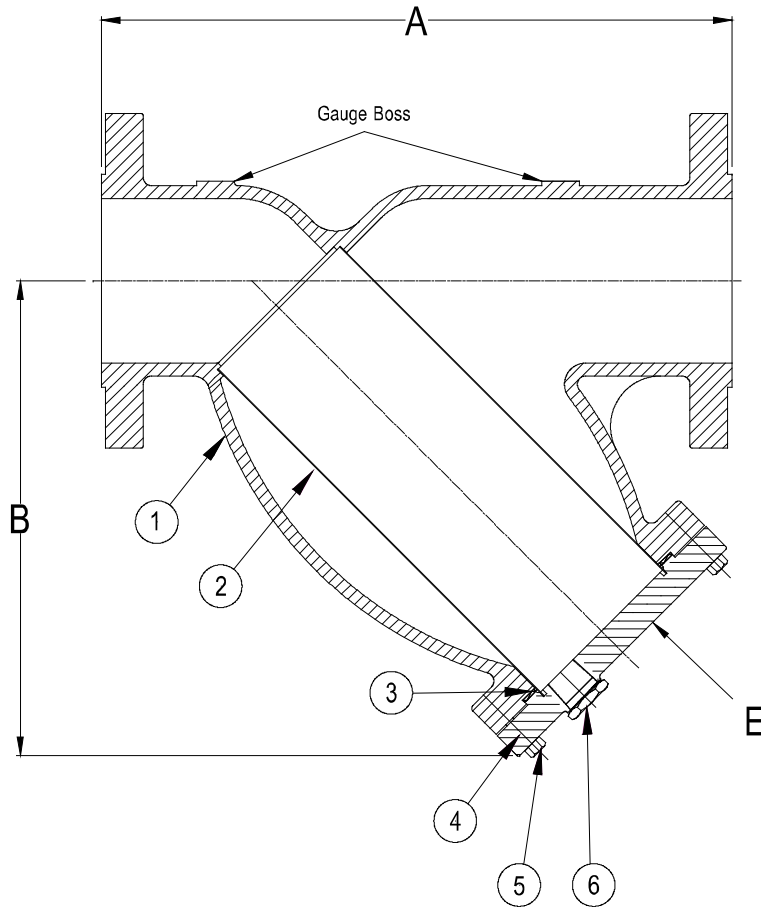


DRAWING NO.  
AL 77026



BODY PRESSURE & TEMPERATURE RATINGS – NON SHOCK		
NOM. RATING	MEDIA	1/2" to 14"
300# R.F. & D. (EX. HEAVY FLANGE)	STEAM	300 PSI @ 1125°F
	W.O.G.	720 PSI @ 100°F

PARTS LIST		
ITEM	DESCRIPTION	MATERIAL
1	BODY	STAINLESS STEEL (ASTM A 351, GRADE CF8M)
2	SCREEN	STAINLESS STEEL (304)
3	GASKET	SPIRAL WOUND STAINLESS STEEL (304) – WITH GRAPHITE FILLER
4	COVER	STAINLESS STEEL (ASTM A 351, GRADE CF8M)
5	HEX HEAD CAP SCREWS	STAINLESS STEEL (ASTM A 193, GRADE B8)
6	BLOW-OFF PLUG	STAINLESS STEEL (304)

Product Number†	SIZE	DIMENSIONS (in)			COVER		WEIGHT (lbs)
		A	B	E	No. of Bolts	Size of Bolts	
1/24RFY-36062P34-GB	1/2	6-1/8	3-3/4	3/8	4	3/8-16 X 1-1/2	6
3/44RFY-36062P34-GB	3/4	7-3/4	4-1/4	1/2	4	3/8-16 X 1-1/2	13
14RFY-36062P34-GB	1	7-7/8	4-1/4	1/2	4	3/8-16 X 1-1/2	13
11/44RFY-36062P34-GB	1-1/4	8-1/8	5-1/8	1/2	4	3/8-16 X 1-1/2	19
11/24RFY-36062P34-GB	1-1/2	8-1/4	5-1/8	1/2	4	3/8-16 X 1-1/2	19
24RFY-36062P34-GB	2	9-1/2	6	1/2	4	1/2-13 X 1-3/4	33
21/24RFY-36062P34-GB	2-1/2	10-3/8	7	1	4	1/2-13 X 1-3/4	44
34RFY-36062P34-GB	3	12	7-5/16	1	4	1/2-13 X 1-3/4	58
44RFY-36062P34-GB	4	14-1/2	8-15/16	1-1/2	6	1/2-13 X 1-3/4	90
54RFY-36125P34-GB	5	19-5/16	13-1/32	2	12	5/8-11 X 2-1/4	180
64RFY-36125P34-GB	6	19-5/16	13-1/4	2	12	5/8-11 X 2-1/4	180
84RFY-36125P34-GB	8	23-3/8	15-1/2	2	12	5/8-11 X 2-3/4	304
104RFY-36125P34-GB	10	27-3/8	18-7/16	2	16	5/8-11 X 3	470
124RFY-36125P34-GB	12	32	21-5/8	2	20	5/8-11 X 3-1/4	709
144RFY-36125P34-GB	14	36	25	2	16	3/4-10 X 3-1/2	1300

†See "Style SSA7 Product Number Configuration" for additional options.  
Face to face values tolerance in compliance with ASME B16.5.

STANDARD SCREENS SUPPLIED

SIZE	SCREEN PERFORATION			
	FOR LIQUID	OPEN AREA	FOR STEAM	OPEN AREA
in	in		in	
2 to 4	1/16	30%	3/64	33%
5 to 10	1/8	43%	3/64	33%
12 to 14	1/8	43%	1/16	30%

Standard screens supplied are for liquid service, unless otherwise specified.  
Options: Other perforations, meshes, and screen materials are available.

**KECKLEY**

3400 CLEVELAND SKOKIE ILLINOIS

DRAWING NO.  
AL 77026

DIMENSIONAL ASSEMBLY

PART NO.

1/2" to 14" 300# Flg Style SSA7

SCALE: NTS

DATE: 09/21/2020

MAT'L: Cast Stainless Steel (316)

REQ. ---

DR. BY DSF