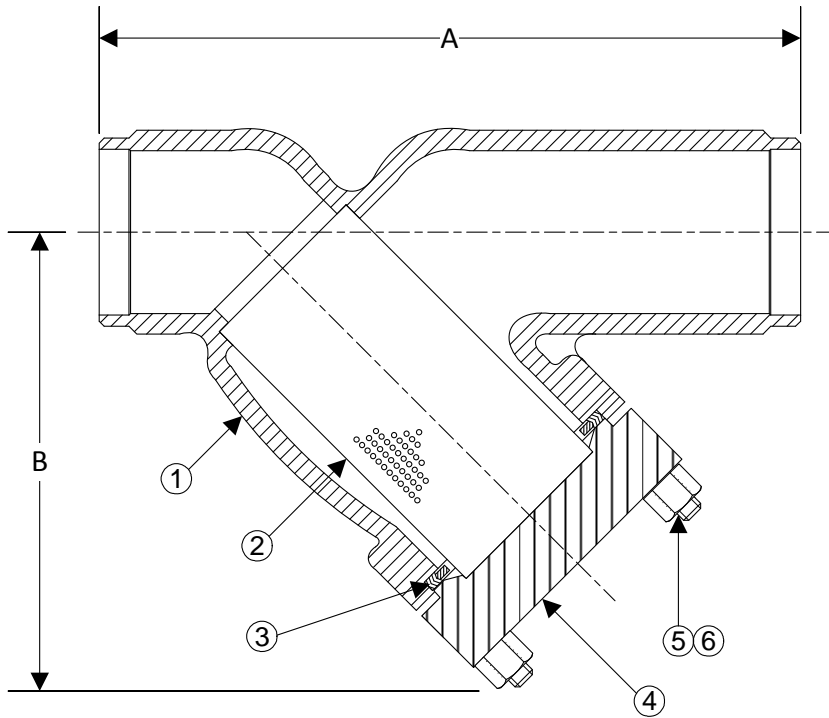


DRAWING NO.
AL 90980



BODY PRESSURE & TEMPERATURE RATINGS - NON SHOCK		
NOM. RATING	MEDIA	1/2" to 8"
2500# SCH XXS (BUTT WELD)	STEAM	1970 PSI @ 1150°F
	W.O.G.	6000 PSI @ 100°F

PARTS LIST		
ITEM	DESCRIPTION	MATERIAL
1	BODY	STAINLESS STEEL (ASTM A 351, GRADE CF8M)
2	SCREEN	STAINLESS STEEL (304)
3	GASKET	SPIRAL WOUND STAINLESS STEEL (304) - WITH GRAPHITE FILLER
4	COVER	STAINLESS STEEL (ASTM A 351, GRADE CF8M)
5	STUDS	ALLOY STEEL (ASTM A 193, GRADE B)
6	HEAVY HEX NUTS	ALLOY STEEL (ASTM A 194,)


Product Number [†]	SIZE	DIMENSIONS (in)		WEIGHT (lbs)
		A	B	
1/28BZY-36033P34-GB	1/2	12-5/8	7-11/16	30
3/48BZY-36033P34-GB	3/4	12-5/8	7-11/16	40
18BZY-36033P34-GB	1	12-5/8	7-11/16	65
11/48BZY-36033P34-GB	1-1/4	16-7/8	10-1/2	140
11/28BZY-36033P34-GB	1-1/2	16-7/8	10-1/2	140
28BZY-36033P34-GB	2	17	12-1/2	240
21/28BZY-36033P34-GB	2-1/2	23	18-13/16	500
38BZY-36033P34-GB	3	23	18-13/16	560
48BZY-36033P34-GB	4	33-3/8	20-1/4	850
68BZY-36045P34-GB	6	31	20	1900
88BZY-36045P34-GB	8	Consult Factory	Consult Factory	Consult Factory

[†]See "Style SSA Product Number Configuration" for additional options.

STANDARD SCREENS SUPPLIED

SIZE in	SCREEN GAGE	SCREEN PERFORATION			
		FOR STEAM in	OPEN AREA	FOR LIQUID in	OPEN AREA
1/2 to 4	28	1/32	29%	1/16	30%
5 to 8	24	3/64	33%	1/8	43%

Standard screens supplied are for steam service, unless otherwise specified.
Options: Other perforations, meshes, and screen materials are available.

		DRAWING NO.
3400 CLEVELAND SKOKIE ILLINOIS		AL 90980
DIMENSIONAL ASSEMBLY		PART NO. 8BZY-36
1/2" to 8" 2500# Butt Weld Style SSA		SCALE: NTS
		DATE: 09/22/2014
MAT'L: (As Noted Above)	REQ. ---	DR. BY DSF