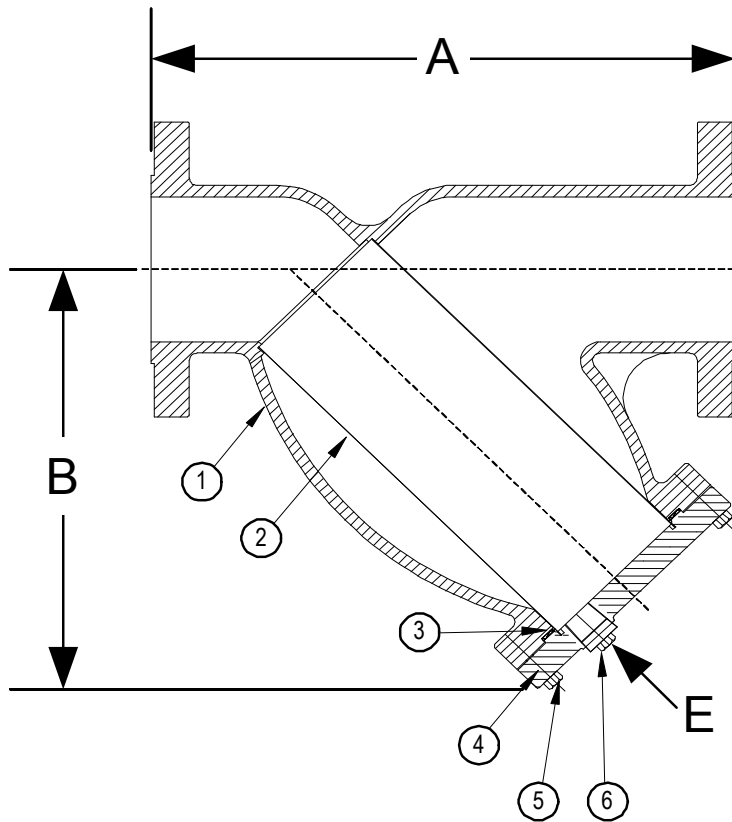


DRAWING NO.
AL 90380DP



BODY PRESSURE & TEMPERATURE RATINGS - NON SHOCK		
NOM. RATING	MEDIA	1/2" to 14"
600# R.F. & D. (EX. HEAVY FLANGE)	STEAM	600 PSI @ 1125°F
	W.O.G.	1440 PSI @ 100°F

PARTS LIST		
ITEM	DESCRIPTION	MATERIAL
1	BODY	DUPLEX (ASTM A 351, GRADE CD4MCu)
2	SCREEN	STAINLESS STEEL (304)
3	GASKET	SPIRAL WOUND STAINLESS STEEL (304) - WITH GRAPHITE FILLER
4	COVER	DUPLEX (ASTM A 351, GRADE CD4MCu)
5	HEX HEAD CAP SCREWS	STAINLESS STEEL (ASTM A 193, GRADE B8)
6	BLOW-OFF PLUG	STAINLESS STEEL (304)

Product Number†	SIZE	DIMENSIONS (in)			COVER		WEIGHT (lbs)
		A	B	E	No. of Bolts	Size of Bolts	
1/25RFY-DP045P34-GB	1/2	6-5/8	3-1/2	3/8	4	3/8-16 x 1-1/2	6
3/45RFY-DP045P34-GB	3/4	8-3/8	3-3/4	1/2	4	3/8-16 x 1-1/2	13
15RFY-DP045P34-GB	1	8-3/8	3-3/4	1/2	4	3/8-16 x 1-1/2	13
11/45RFY-DP045P34-GB	1-1/4	10-1/8	5-1/2	1/2	4	3/8-16 x 1-1/2	19
11/25RFY-DP045P34-GB	1-1/2	10-1/4	5-1/2	1/2	4	3/8-16 x 1-1/2	27
25RFY-DP045P34-GB	2	11	7	1/2	4	1/2-13 x 1-3/4	40
21/25RFY-DP045P34-GB	2-1/2	12	8-1/4	1	4	1/2-13 x 1-3/4	60
35RFY-DP045P34-GB	3	13-1/2	9-1/4	1	6	1/2-13 x 1-3/4	78
45RFY-DP045P34-GB	4	18	12-1/2	1-1/2	6	1/2-13 x 2	160
65RFY-DP045P34-GB	6	25-5/8	20	2	12	5/8-11 x 2-1/4	364
85RFY-DP045P34-GB	8	31-3/4	24	2	12	5/8-11 x 2-3/4	670
105RFY-DP045P34-GB	10	37-3/4	28-1/2	2	16	5/8-11 x 3	1090
125RFY-DP062P34-GB	12	45-1/2	34-1/2	2	20	5/8-11 x 3-1/4	1558

†See "Style SSA Product Number Configuration" for additional options.

STANDARD SCREENS SUPPLIED

SIZE in	SCREEN GAGE	SCREEN PERFORATION			
		FOR STEAM in	OPEN AREA	FOR LIQUID in	OPEN AREA
1/2 to 4	28	3/64	33%	1/16	30%
5 to 10	24	3/64	33%	1/8	43%
12 to 14	24	1/16	30%	1/8	43%

Standard screens supplied are for **steam service**, unless otherwise specified.

Options: Other perforations, meshes, and screen materials are available.

KECKLEY

3400 CLEVELAND SKOKIE ILLINOIS

DRAWING NO.
AL 90380DP

DIMENSIONAL ASSEMBLY

PART NO.

1/2" to 12" 600# Flg Style SSA-DP

SCALE: NTS

DATE: 07/01/2011

MAT'L: Duplex

REQ. ---

DR. BY DSF