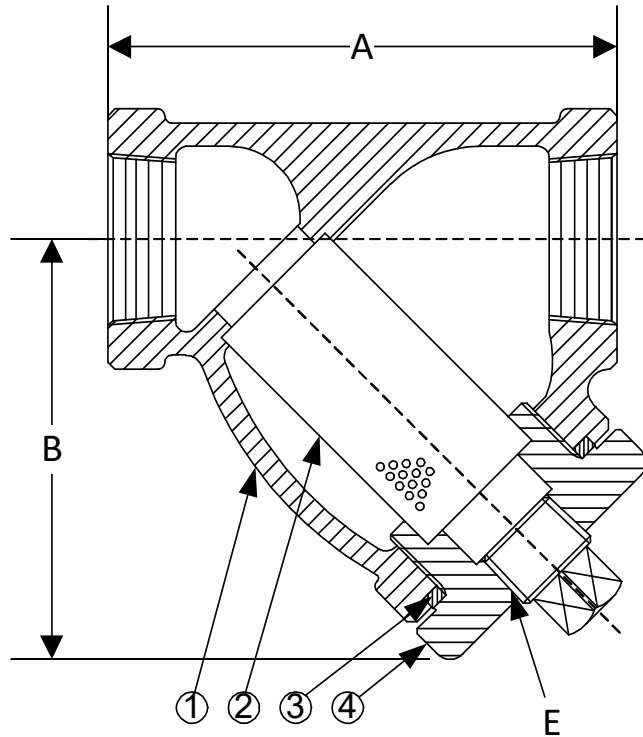


DRAWING NO.
AL 77014

BODY PRESSURE & TEMPERATURE RATINGS – NON SHOCK		
NOM. RATING	MEDIA	1/4" to 3"
600# (THREADED)	STEAM	600 PSI @ 1125°F
	W.O.G.	1440 PSI @ 100°F



PARTS LIST

ITEM	DESCRIPTION	MATERIAL
1	BODY	STAINLESS STEEL (ASTM A 351, GRADE CF8M)
2	SCREEN	STAINLESS STEEL (304)
3	GASKET	SPIRAL WOUND STAINLESS STEEL (304) – WITH GRAPHITE FILLER
4	CAP	STAINLESS STEEL (ASTM A 351, GRADE CF8M)

Optional: Blow-off Plug, Stainless Steel (304)

Product Number†	SIZE	DIMENSIONS			WEIGHT
		A	B	E	
1/45THY-36062P34-GT	1/4	2-15/16	2-7/16	1/4	3
3/85THY-36062P34-GT	3/8	2-15/16	2-7/16	1/4	3
1/25THY-36062P34-GT	1/2	2-15/16	2-7/16	1/4	3
3/45THY-36062P34-GT	3/4	3-11/16	3	3/8	5
15THY-36062P34-GT	1	4-9/16	4-5/16	3/8	6
11/45THY-36062P34-GT	1-1/4	4-15/16	4-3/16	3/4	8
11/25THY-36062P34-GT	1-1/2	5-9/16	4-11/16	3/4	10
25THY-36062P34-GT	2	6-15/16	6-1/4	1	16
21/25THY-36062P34-GT	2-1/2	12	9-3/8	1-1/4	43
35THY-36062P34-GT	3	12	9-3/8	1-1/4	43

†See "Style SSB7 Product Number Configuration" for additional options.

Face to face values tolerance in compliance with ASME B16.34.

STANDARD SCREENS SUPPLIED

SIZE	SCREEN PERFORATION			
	FOR LIQUID	OPEN AREA	FOR STEAM	OPEN AREA
in	in		in	
1/4 to 3	1/16	30%	3/64"	33%

Standard screens supplied are for **liquid service**, unless otherwise specified.
Options: Other meshes, perforations, and screen materials are available.

KECKLEY

3400 CLEVELAND SKOKIE ILLINOIS

DRAWING NO.
AL 77014

DIMENSIONAL ASSEMBLY

PART NO.

1/4" to 3" 600# Threaded Style SSB7

SCALE: NTS

DATE: 09/21/2020

MAT'L: Cast Stainless Steel (316)

REQ. ---

DR. BY DSF