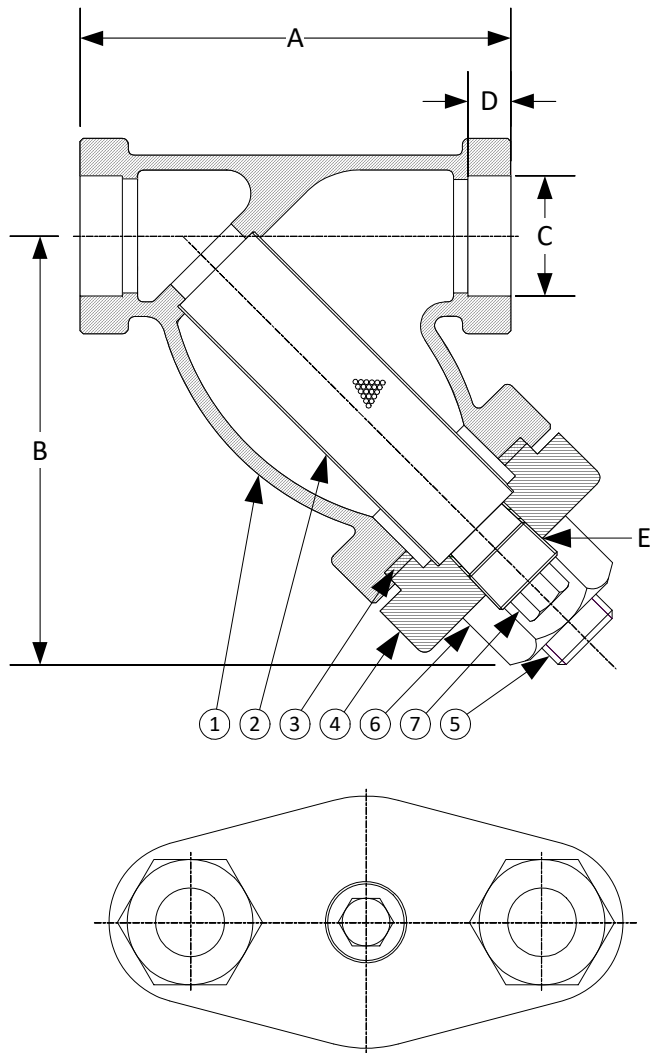


DRAWING NO.  
AL XXXXX



BODY PRESSURE & TEMPERATURE RATINGS – NON SHOCK		
NOM. RATING	MEDIA	1/4" to 3"
600# (SOCKET WELD)	STEAM	600 PSI @ 1125°F
	W.O.G.	1440 PSI @ 100°F

PARTS LIST		
ITEM	DESCRIPTION	MATERIAL
1	BODY	STAINLESS STEEL (ASTM A 351, GRADE CF8M)
2	SCREEN	STAINLESS STEEL (304)
3	GASKET	SPIRAL WOUND STAINLESS STEEL (304) – WITH GRAPHITE FILLER
4	CAP	STAINLESS STEEL (ASTM A 351, GRADE CF8M)
5	STUD	STAINLESS STEEL (ASTM A 193, GRADE B8)
6	NUT	STAINLESS STEEL (ASTM A 194, GRADE 8)
7	PLUG	STAINLESS STEEL (ASTM A 182, GRADE F-304)

Product Number†	SIZE	DIMENSIONS					COVER		WEIGHT
		A	B	C	D	E	No. of Bolts	Size of Bolts	
1/45SWY-36062P34-GB	1/4	3	2-1/2	.555	3/8	1/4	2	3/8-16 x 1-1/2	3
3/85SWY-36062P34-GB	3/8	3	2-1/2	.690	3/8	1/4	2	3/8-16 x 1-1/2	3
1/25SWY-36062P34-GB	1/2	3-7/8	3-1/4	.855	3/8	1/4	2	3/8-16 x 1-1/2	4
3/45SWY-36062P34-GB	3/4	4-1/4	4-1/4	1.065	1/2	3/8	2	1/2-13 x 2-1/4	5
15SWY-36062P34-GB	1	4-15/16	4-5/8	1.330	1/2	1/2	2	5/8-11 x 2-5/8	7
11/45SWY-36062P34-GB	1-1/4	5-5/8	5-1/2	1.675	1/2	3/4	2	5/8-11 x 2-3/4	11
11/25SWY-36062P34-GB	1-1/2	6-1/4	6-1/4	1.915	1/2	3/4	2	7/8-9 x 3-1/8	16
25SWY-36062P34-GB	2	7-1/2	7-1/4	2.406	5/8	1	2	1-8 x 3-1/2	22
21/25SWY-36062P34-GB	2-1/2	12	9-3/8	2.906	5/8	1-1/4	2	1-1/8-7 x 4-1/8	43
35SWY-36062P34-GB	3	12	9-3/8	3.535	5/8	1-1/4	2	1-1/8-7 x 4-1/8	43

†See "Style SSB7BC Product Number Configuration" for additional options.  
Face to face values tolerance in compliance with ASME B16.11.

STANDARD SCREENS SUPPLIED

SIZE	SCREEN PERFORATION			
	FOR LIQUID	OPEN AREA	FOR STEAM	OPEN AREA
in	in		in	
1/4 to 3	1/16	30%	3/64"	33%

Standard screens supplied are for liquid service, unless otherwise specified.  
Options: Other meshes, perforations, and screen materials are available.

 3400 CLEVELAND SKOKIE ILLINOIS	DRAWING NO. AL XXXXX
	PART NO.
DIMENSIONAL ASSEMBLY	SCALE: NTS
1/4" to 3" 600# Socket Weld Style SSB7BC	DATE: 09/21/2020
MAT'L: 316 Stainless Steel	DR. BY DSF
REQ. ---	