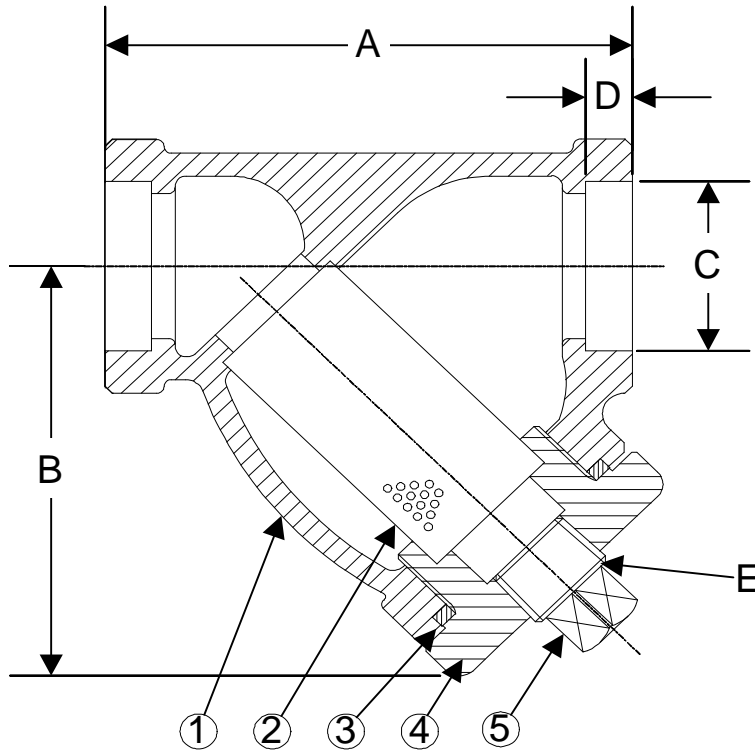


DRAWING NO.  
AL 77017HC



| BODY PRESSURE & TEMPERATURE RATINGS - NON SHOCK |        |                  |
|---|--------|------------------|
| NOM. RATING                                     | MEDIA  | 1/4" to 3"       |
| 600# (Socket Weld)                              | STEAM  | 600 PSI @ 1125°F |
|   | W.O.G. | 1440 PSI @ 100°F |

| PARTS LIST |             |   |
|------------|-------------|---|
| ITEM       | DESCRIPTION | MATERIAL  |
| 1          | BODY        | CAST HASTELLOY C276 (ASTM A 494, GRADE CW12MW)            |
| 2          | SCREEN      | STAINLESS STEEL (304)                                     |
| 3          | GASKET      | SPIRAL WOUND STAINLESS STEEL (304) - WITH GRAPHITE FILLER |
| 4          | CAP         | CAST HASTELLOY C276 (ASTM A 494, GRADE CW12MW)            |

Optional: Blow-off Plug, Stainless Steel (304)

| Product Number†      | SIZE  | DIMENSIONS |         |       |     |       | WEIGHT |
|----------------------|-------|------------|---------|-------|-----|-------|--------|
|                      |       | A          | B       | C     | D   | E     |        |
| 1/4SWY-HC045P34-GTI  | 1/4   | 2-15/16    | 2-7/16  | 0.555 | 3/8 | 1/4   | 3      |
| 3/8SWY-HC045P34-GTI  | 3/8   | 2-15/16    | 2-7/16  | 0.690 | 3/8 | 1/4   | 3      |
| 1/2SWY-HC045P34-GTI  | 1/2   | 2-15/16    | 2-7/16  | 0.855 | 3/8 | 1/4   | 3      |
| 3/4SWY-HC045P34-GTI  | 3/4   | 3-11/16    | 3       | 1.065 | 1/2 | 3/8   | 5      |
| 15SWY-HC045P34-GTI   | 1     | 4-9/16     | 4-5/16  | 1.330 | 1/2 | 3/8   | 6      |
| 11/4SWY-HC045P34-GTI | 1-1/4 | 4-15/16    | 4-3/16  | 1.675 | 1/2 | 3/4   | 8      |
| 11/2SWY-HC045P34-GTI | 1-1/2 | 5-9/16     | 4-11/16 | 1.915 | 1/2 | 3/4   | 10     |
| 25SWY-HC045P34-GTI   | 2     | 6-15/16    | 6-1/4   | 2.406 | 5/8 | 1     | 16     |
| 21/2SWY-HC045P34-GTI | 2-1/2 | 12         | 9-3/8   | 2.906 | 5/8 | 1-1/4 | 43     |
| 35SWY-HC045P34-GTI   | 3     | 12         | 9-3/8   | 3.535 | 5/8 | 1-1/4 | 43     |

†See "Style SSB-7 Product Number Configuration" for additional options.

STANDARD SCREENS SUPPLIED

| SIZE     | SCREEN GAGE | SCREEN PERFORATION |           |            |           |
|----------|-------------|--------------------|-----------|------------|-----------|
|          |             | FOR STEAM          | OPEN AREA | FOR LIQUID | OPEN AREA |
| in       |             | in                 |           | in         |           |
| 1/4 to 3 | 26          | 3/64               | 33%       | 1/16       | 30%       |

Standard screens supplied are for steam service, unless otherwise specified.

Options: Other meshes, perforations, and screen materials are available.

**KECKLEY**

3400 CLEVELAND SKOKIE ILLINOIS

DRAWING NO.  
AL 77017HC

DIMENSIONAL ASSEMBLY

PART NO.

1/4" to 3" 600# Socket Weld Style SSB-7HC

SCALE: NTS

DATE: 07/01/2011

MAT'L: Cast Hastelloy C276

REQ. ---

DR. BY DSF