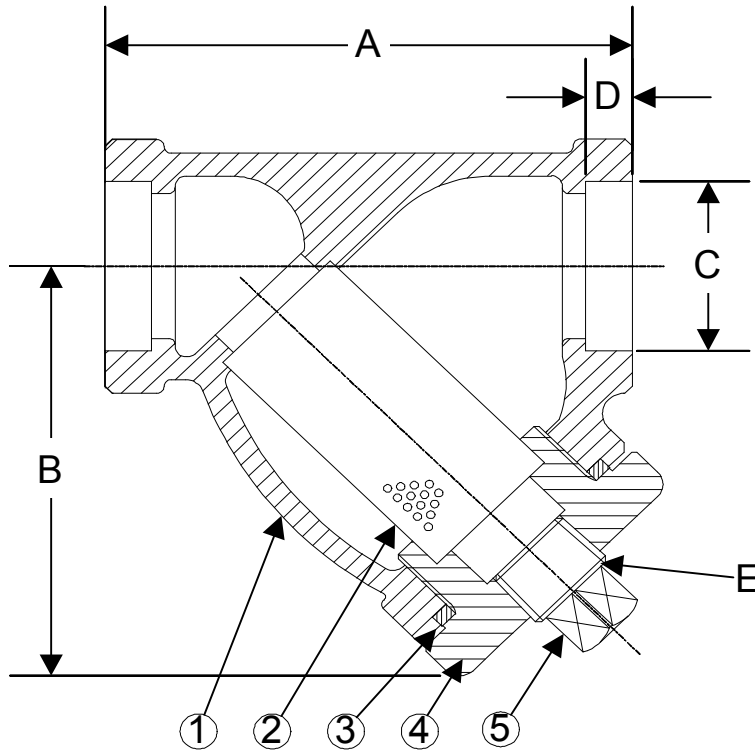


DRAWING NO.  
AL 77017ML



BODY PRESSURE & TEMPERATURE RATINGS – NON SHOCK		
NOM. RATING	MEDIA	1/4" to 3"
600# (Socket Weld)	STEAM	600 PSI @ 1125°F
	W.O.G.	1440 PSI @ 100°F

PARTS LIST		
ITEM	DESCRIPTION	MATERIAL
1	BODY	CAST MONEL (ASTM A 494, GRADE M35-2)
2	SCREEN	STAINLESS STEEL (304)
3	GASKET	SPIRAL WOUND STAINLESS STEEL (304) – WITH GRAPHITE FILLER
4	CAP	CAST MONEL (ASTM A 494, GRADE M35-2)

Optional: Blow-off Plug, Stainless Steel (304)

Product Number†	SIZE	DIMENSIONS					WEIGHT
		A	B	C	D	E	
1/4SWY-ML045P34-GT	1/4	2-15/16	2-7/16	0.555	3/8	1/4	3
3/8SWY-ML045P34-GT	3/8	2-15/16	2-7/16	0.690	3/8	1/4	3
1/2SWY-ML045P34-GT	1/2	2-15/16	2-7/16	0.855	3/8	1/4	3
3/4SWY-ML045P34-GT	3/4	3-11/16	3	1.065	1/2	3/8	5
1SWY-ML045P34-GT	1	4-9/16	4-5/16	1.330	1/2	3/8	6
1 1/4SWY-ML045P34-GT	1-1/4	4-15/16	4-3/16	1.675	1/2	3/4	8
1 1/2SWY-ML045P34-GT	1-1/2	5-9/16	4-11/16	1.915	1/2	3/4	10
2SWY-ML045P34-GT	2	6-15/16	6-1/4	2.406	5/8	1	16
2 1/2SWY-ML045P34-GT	2-1/2	12	9-3/8	2.906	5/8	1-1/4	43
3SWY-ML045P34-GT	3	12	9-3/8	3.535	5/8	1-1/4	43

†See "Style SSB-7 Product Number Configuration" for additional options.

STANDARD SCREENS SUPPLIED

SIZE	SCREEN GAGE	SCREEN PERFORATION			OPEN AREA
		FOR STEAM	OPEN AREA	FOR LIQUID	
in		in		in	
1/4 to 3	26	3/64	33%	1/16	30%

Standard screens supplied are for **steam service**, unless otherwise specified.  
Options: Other meshes, perforations, and screen materials are available.

**KECKLEY**

3400 CLEVELAND SKOKIE ILLINOIS

DRAWING NO.  
AL 77017ML

DIMENSIONAL ASSEMBLY

PART NO.

1/4" to 3" 600# Socket Weld Style SSB-7ML

SCALE: NTS

DATE: 07/01/2011

MAT'L: Cast Monel

REQ. ---

DR. BY DSF